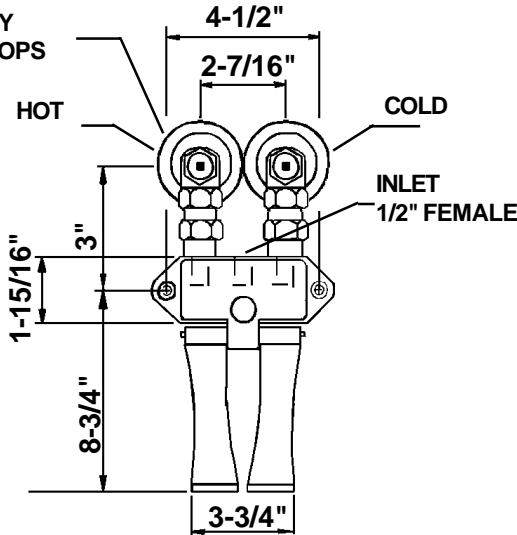




FAUCET GROUP

LOOSE KEY
ANGLE STOPS



JFV-320

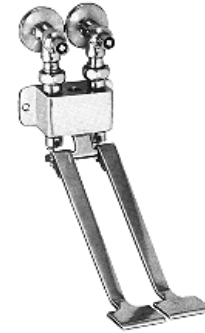
WALL MOUNTED FOOT PEDAL VALVE



JS-10 Spout



JS-20 Spout



**TECHNICAL DATA
CONSTRUCTION:**

- Wall mount
- Solid, heavy duty cast brass body
- 1/2" Inlet and Outlet
- Renewable self-closing valve unit
- Replaceable seats
- Replaceable reinforced nitrile rubber packing
- Cast aluminum foot pedals
- 1/2" I.P.S. Heavy cast brass loose key stops and unions
- Pedals flip-up and stay put to clear floor for cleaning
- Conforms with ANSI standard 112.18.1

FINISH

Polished chrome plate

A.D.A. COMPLIANT

No

VARIANTS

None

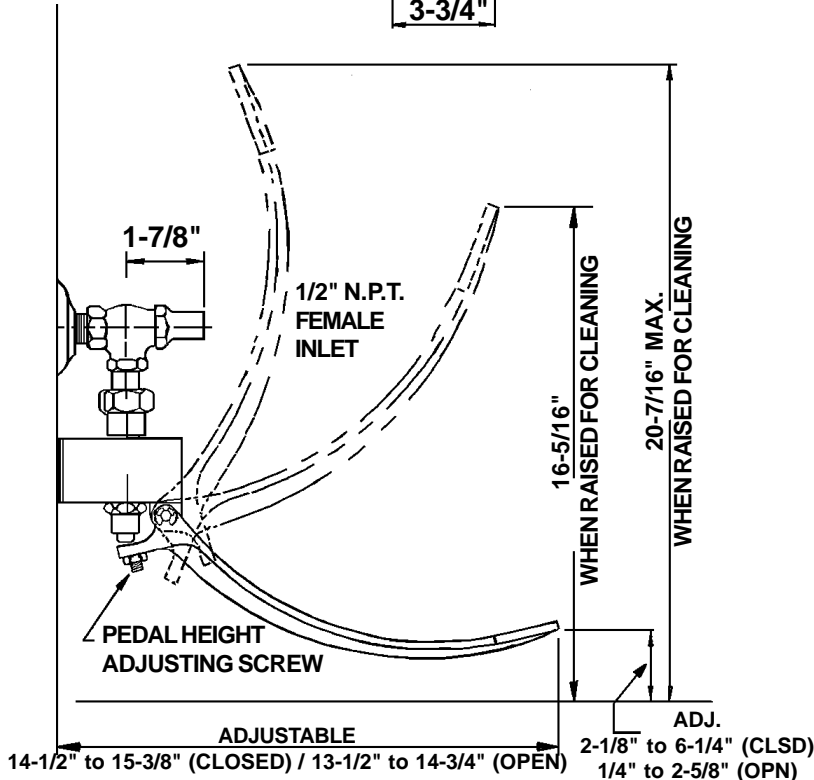
**OPTIONS - Check one
SPOUTS**

JS-10 - Wall Mount Gooseneck Spout

JS-20 - Deck mount Spout

Dimensions tolerance +/- 1/4".

JUST MFG. COMPANY CONTINUES TO MAKE QUALITY AND FUNCTIONALITY A MARK OF THE JUST PRODUCT LINE. TO DO SO REQUIRES THAT WE RESERVE THE RIGHT TO CHANGE PRODUCT INFORMATION WITHOUT NOTICE. DIMENSIONS MAY VARY AND ARE SUBJECT TO CHANGE WITHOUT NOTICE. NO RESPONSIBILITY IS ASSUMED FOR USE OF SUPERCEDED OR VOIDED DATA. FOR THE MOST CURRENT AND ACCURATE INFORMATION REGARDING THE COMPLETE LINE OF JUST SINKS, FAUCETS AND DRAINS, CLICK ON THE SPEC LINE DRAWINGS LINK ON OUR WEB SITE AT www.justmfg.com



Job Name _____

Customer _____

Architect/Engineer _____

APPROVED FOR MANUFACTURING

MODEL NO. _____ QTY. _____

COMPANY _____

TITLE _____ DATE _____

SIGNATURE _____

REVISED-5/2004

JUST MANUFACTURING COMPANY

9233 KING STREET . FRANKLIN PARK . ILLINOIS . 60131-2111

PH: 847-678-5150 . FAX: 847-678-6817

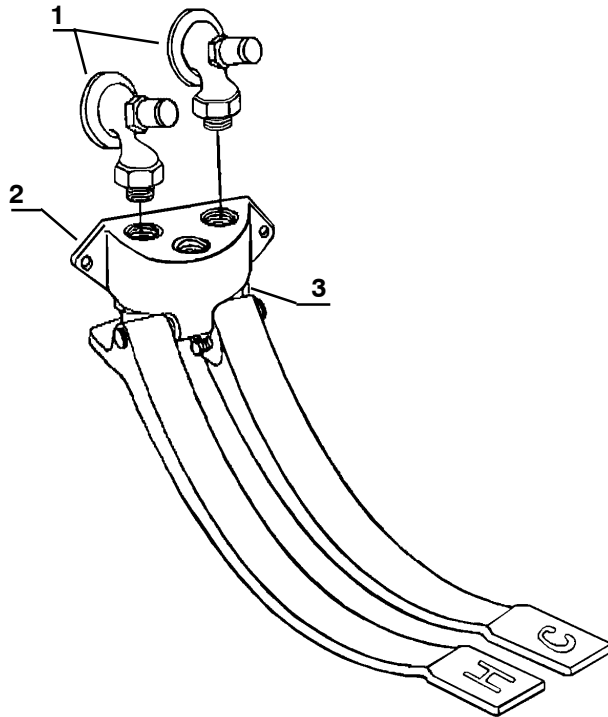
E-MAIL: custserv@justmfg.com . www.justmfg.com

SUBMITTAL DATA



FAUCET GROUP

WALL MOUNTED FOOT PEDAL VALVE



Item No.	Part No.	Description
1	FB-1350	Angle stop - (2 Req'd)
2	FB-0504	Pedal valve
3	FB-5312-40	Valve Cartridge

JUST MFG. COMPANY CONTINUES TO MAKE QUALITY AND FUNCTIONALITY A MARK OF THE JUST PRODUCT LINE. TO DO SO REQUIRES THAT WE RESERVE THE RIGHT TO CHANGE PRODUCT INFORMATION WITHOUT NOTICE. DIMENSIONS MAY VARY AND ARE SUBJECT TO CHANGE WITHOUT NOTICE. NO RESPONSIBILITY IS ASSUMED FOR USE OF SUPERCEDED OR VOIDED DATA. FOR THE MOST CURRENT AND ACCURATE INFORMATION REGARDING THE COMPLETE LINE OF JUST SINKS, FAUCETS AND DRAINS, CLICK ON THE **SPEC LINE DRAWINGS** LINK ON OUR WEB SITE AT www.justmfg.com

JUST MANUFACTURING COMPANY
 9233 KING STREET . FRANKLIN PARK . ILLINOIS . 60131-2111
 PH: 847-678-5150 . FAX: 847-678-6817
 E-MAIL: custserv@justmfg.com . www.justmfg.com