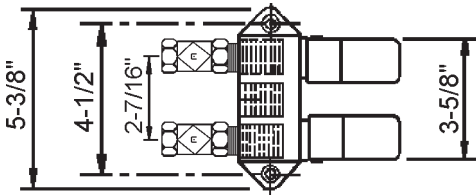
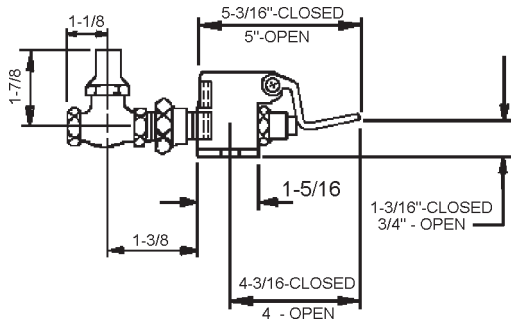
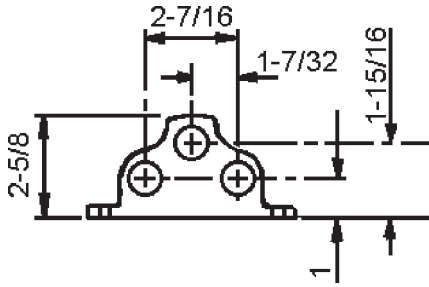


# JFV-300

## WALL MOUNTED FOOT PEDAL VALVE

SUBMITTAL DATA

# Just FAUCET GROUP



JS-10 Spout



JS-20 Spout



### TECHNICAL DATA CONSTRUCTION:

- Wall mount
- Solid, heavy duty cast brass body
- Renewable self-closing valve unit
- Replaceable seats
- Replaceable reinforced nitrile rubber packing
- Chrome plated cast brass foot pedals
- Pedals flip-up and stay put to clear floor for cleaning
- Equipped with water saving aerator
- Conforms with ANSI standard 112.18.1

### FINISH

Polished chrome plate

### FLOW RATE

2.2 GPM flow restricting aerator

### A.D.A. COMPLIANT

No

### VARIANTS

None

### OPTIONS



#### SPOUTS

- JS-10 - Wall Mount Gooseneck Spout
- JS-20 - Deck mount Spout

### Dimensions tolerance +/- 1/4".

Dimensions may vary and are subject to change. No responsibility is assumed for use of superseded or voided data.

### Select spout to be used

	
JS-10 Spout	JS-20 Spout

Job Name \_\_\_\_\_  
 Customer \_\_\_\_\_  
 Architect/Engineer \_\_\_\_\_

#### APPROVED FOR MANUFACTURING

MODEL NO. \_\_\_\_\_ QTY. \_\_\_\_\_  
 COMPANY \_\_\_\_\_  
 TITLE \_\_\_\_\_ DATE \_\_\_\_\_  
 SIGNATURE \_\_\_\_\_

*Just* MANUFACTURING COMPANY  
 9233 KING STREET, FRANKLIN PARK, ILLINOIS 60131  
 PHONE: (847) 678-5150 FAX: (847) 678-6817