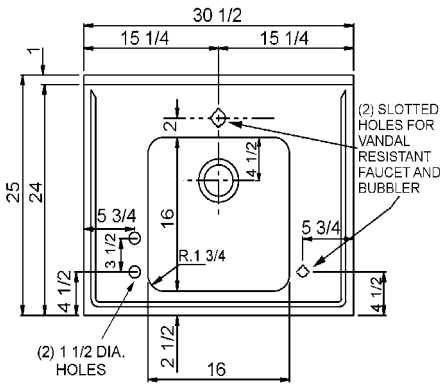




INSTITUTIONAL GROUP



CSWH - 3025 CLASSROOM WALL-HUNG SINK/DRINKING FOUNTAIN



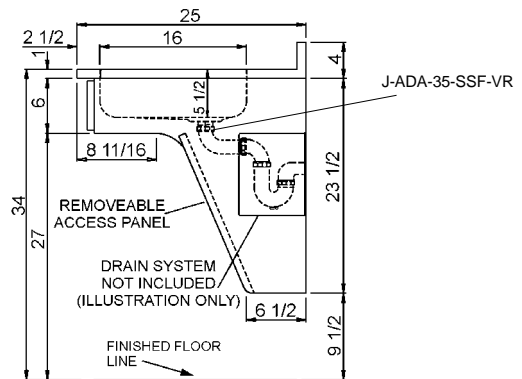
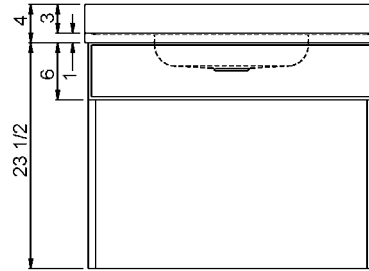
ADA COMPLIANT VANDAL RESISTANT

CSWH-3025 - Top constructed of 16 gauge type 304 stainless steel. Bowl of 18 gauge stainless steel seamless drawn construction. Top shall have marine edge on three sides. Exposed exterior surfaces shall have a Hand-Blended Just Finish. Underside of bowl and top shall be sound deadened. Enclosure of flat black casework laminate construction. ADA Compliant.

Faucet shall be JUST J-1176-KS-M-VR with 5-1/2" reach, chrome plated gooseneck swivel spout, with vandal resistant aerator and handles.

Bubbler shall be lead free JUST JSB-10-VR type 304 stainless steel, vandal resistant angle stream bubbler. The unit shall have a replaceable self-closing cartridge. Activation shall require less than 5lb. force, as required by ADA and CABO/ANSI A117.1-1992 specifications.

Drain fittings shall be JUST J-ADA-35-SSF-VR stainless steel body, stainless steel flat grid strainer and 1-1/2" O.D. chrome plated waste arm 12" long.



FITTINGS INCLUDED

FAUCET:

- ❑ J-1176-KS-M-VR with 5-1/2" reach, chrome plated gooseneck swing spout, with vandal resistant aerator and handles.

BUBBLER:

- ❑ JSB-10-VR **LEAD-FREE**, Vandal-resistant, ADA compliant, type 304 cast stainless steel bubbler.

DRAIN:

- ❑ J-ADA-35-SSF-VR vandal resistant stainless steel flat grid strainer and body.

ENCLOSURE:

- ❑ Enclosure of flat black casework laminate construction.

ALTERNATE FAUCET:

- ❑ JVR-1 vandal resistant single tap classroom faucet. Vandal-resistant handle and aerator.

FUNCTIONAL DESIGN, QUALITY, AND SPECIFICATIONS LISTED DESCRIBE THE JUST STANDARD OF QUALITY. WHEN MAKING COMPARISONS WITH OTHER OFFERINGS, INSIST ON THE JUST QUALITY OF CONSTRUCTION. FOR ADDITIONAL INFORMATION REGARDING THE COMPLETE LINE OF JUST SINKS, FAUCETS AND DRAINS, VISIT OUR WEB SITE AT www.justmfg.com

JUST MANUFACTURING COMPANY

9233 KING STREET, FRANKLIN PARK, ILLINOIS 60131-2111

PH: 847-678-5150 . FAX: 847-678-6817

E-MAIL: custserv@justmfg.com . www.justmfg.com

Job Name _____

Customer _____

Architect/Engineer _____

APPROVED FOR MANUFACTURING

MODEL NO. _____ QTY. _____

COMPANY _____

TITLE _____ DATE _____

SIGNATURE _____

SUBMITTAL DATA

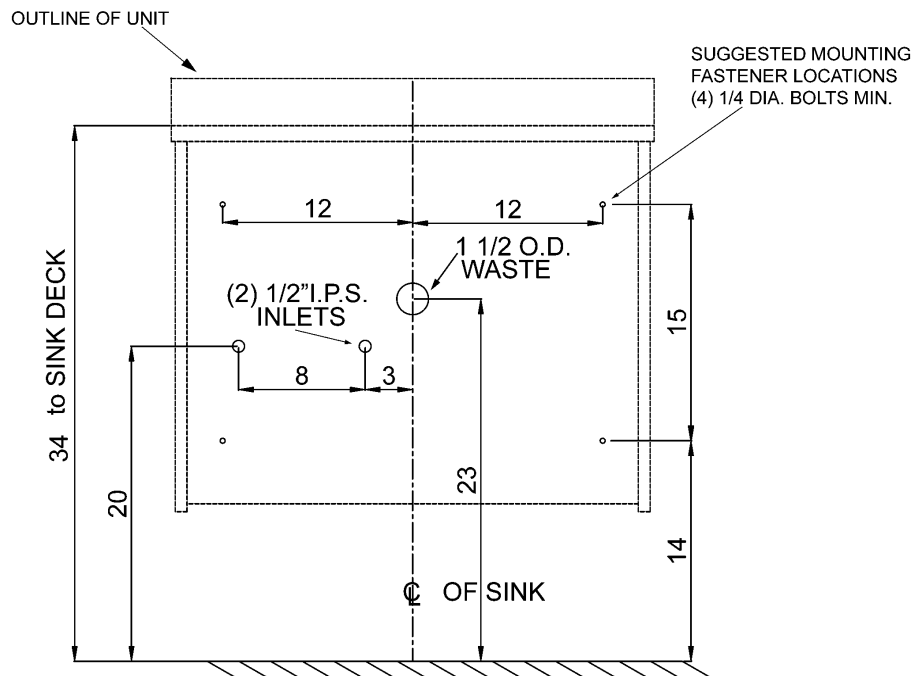
REVISED-7/2005



INSTITUTIONAL GROUP

**CSWH-3025
ROUGH-IN DATA**

SUBMITTAL DATA



JUST MFG. COMPANY CONTINUES TO MAKE QUALITY AND FUNCTIONALITY A MARK OF THE JUST PRODUCT LINE. TO DO SO REQUIRES THAT WE RESERVE THE RIGHT TO CHANGE PRODUCT INFORMATION WITHOUT NOTICE. FOR THE MOST CURRENT AND ACCURATE INFORMATION REGARDING THE COMPLETE LINE OF JUST SINKS, FAUCETS AND DRAINS, CLICK ON THE *SPEC LINE DRAWINGS* LINK ON OUR WEB SITE AT www.justmfg.com

4-24A1

JUST MANUFACTURING COMPANY	
9233 KING STREET . FRANKLIN PARK . ILLINOIS . 60131-2111	
PH: 847-678-5150 . FAX: 847-678-6817	
E-MAIL: custserv@justmfg.com . www.justmfg.com	