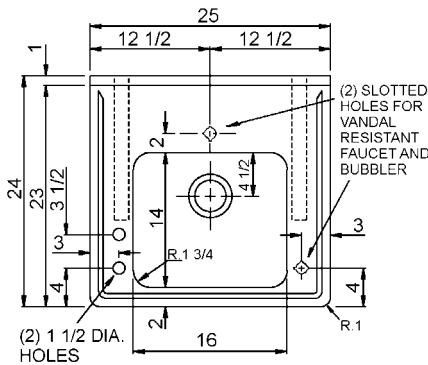
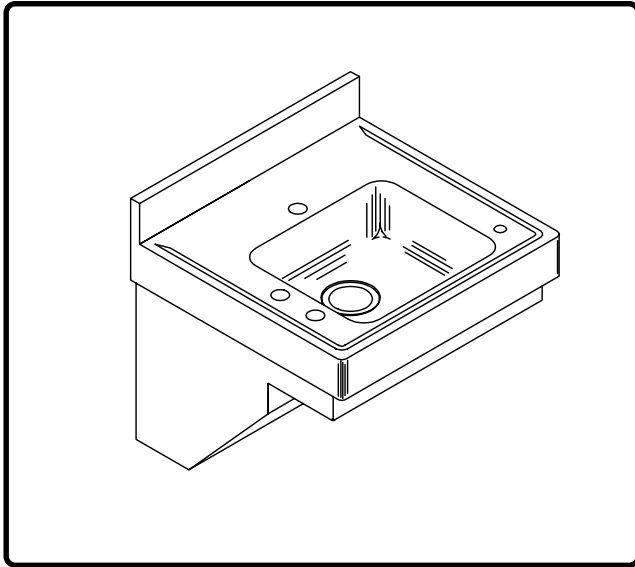




# INSTITUTIONAL GROUP



### FITTINGS INCLUDED

#### FAUCET:

- J-1176-KS-M-VR concealed offset faucet with 5-1/2" reach, chrome plated gooseneck swivel spout with, vandal-resistant body, aerator and 4" wrist blade handles.

#### BUBBLER:

- JSB-10-VR **LEAD-FREE**, Vandal-resistant, ADA compliant, type 304 cast stainless steel bubbler.

#### DRAIN:

- J-ADA-35-SSF-VR vandal resistant stainless steel flat grid strainer and body.

#### ENCLOSURE:

- Vandal-resistant stainless steel sink enclosure.

#### ALTERNATE FAUCET:

- JVR-1 vandal resistant single tap classroom faucet. Vandal-resistant handle and aerator.

FUNCTIONAL DESIGN, QUALITY, AND SPECIFICATIONS LISTED DESCRIBE THE JUST STANDARD OF QUALITY. WHEN MAKING COMPARISONS WITH OTHER OFFERINGS, INSIST ON THE JUST QUALITY OF CONSTRUCTION. FOR ADDITIONAL INFORMATION REGARDING THE COMPLETE LINE OF **JUST** SINKS, FAUCETS AND DRAINS, VISIT OUR WEB SITE AT [www.justmfg.com](http://www.justmfg.com)

## JUST MANUFACTURING COMPANY

9233 KING STREET . FRANKLIN PARK . ILLINOIS . 60131-2111

PH: 847-678-5150 . FAX: 847-678-6817

E-MAIL: [custserv@justmfg.com](mailto:custserv@justmfg.com) . [www.justmfg.com](http://www.justmfg.com)

# CWH - 2524

CLASSROOM  
WALL-HUNG SINK/DRINKING FOUNTAIN



**ADA COMPLIANT  
VANDAL  
RESISTANT**

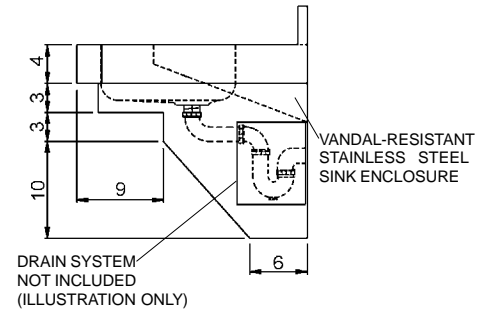
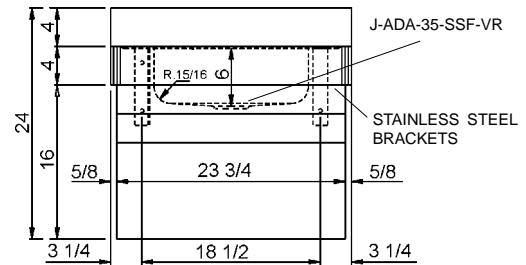
### SPECIFICATIONS

Top and integral apron constructed of 16 gauge type 304 stainless steel. Bowl of seamless drawn construction of 18 gauge stainless steel. Enclosure of 16 gauge type 304 stainless steel. Unit shall have marine edge on three sides. Enclosure shall be secured to apron using vandal resistant screws. Exposed exterior surfaces shall have a Hand-Blended Just Finish. Underside of bowl and top shall be sound deadened.

Faucet shall be JUST J-1176-KS-M-VR with 5-1/2" reach, chrome plated gooseneck swivel spout, with vandal resistant aerator and handles.

Bubbler shall be lead free JUST JSB-10-VR type 304 stainless steel, vandal resistant angle stream bubbler. The unit shall have a replaceable self-closing cartridge. Activation shall require less than 5lb. force, as required by ADA and CABO/ANSI A117.1-1992 specifications.

Drain fittings shall be JUST J-ADA-35-SSF-VR stainless steel body, stainless steel flat grid strainer and 1-1/2" O.D. chrome plated waste arm 12" long.



Job Name \_\_\_\_\_

Customer \_\_\_\_\_

Architect/Engineer \_\_\_\_\_

APPROVED FOR MANUFACTURING

MODEL NO. \_\_\_\_\_ QTY. \_\_\_\_\_

COMPANY \_\_\_\_\_

TITLE \_\_\_\_\_ DATE \_\_\_\_\_

SIGNATURE \_\_\_\_\_

SUBMITTAL DATA

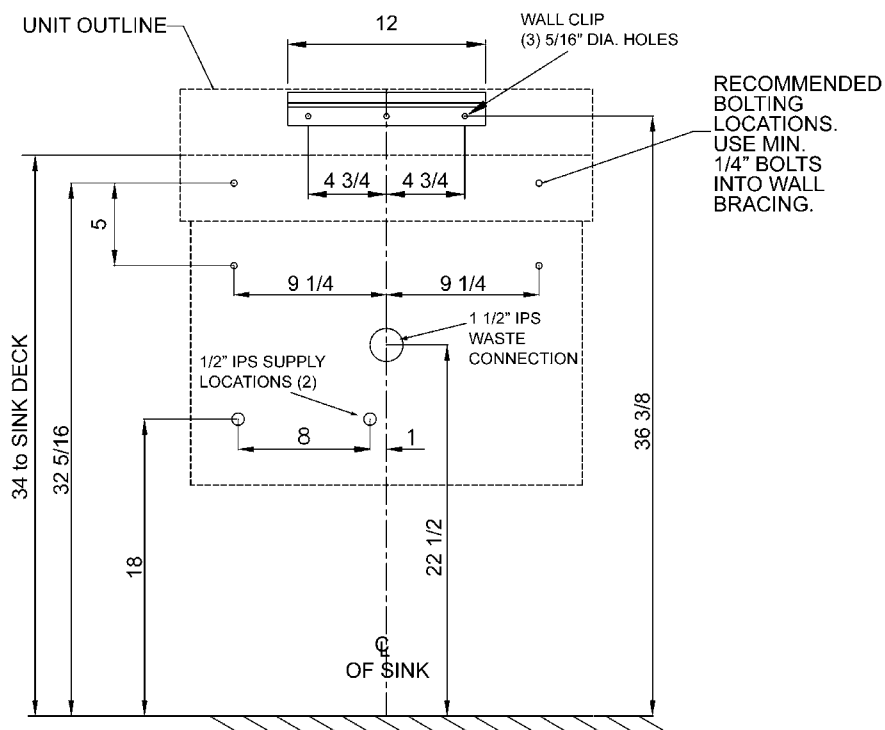
REVISED-5/2004



**INSTITUTIONAL GROUP**

**CWH-2524  
ROUGH-IN DATA**

**SUBMITTAL DATA**



JUST MFG. COMPANY CONTINUES TO MAKE QUALITY AND FUNCTIONALITY A MARK OF THE JUST PRODUCT LINE. TO DO SO REQUIRES THAT WE RESERVE THE RIGHT TO CHANGE PRODUCT INFORMATION WITHOUT NOTICE. FOR THE MOST CURRENT AND ACCURATE INFORMATION REGARDING THE COMPLETE LINE OF JUST SINKS, FAUCETS AND DRAINS, CLICK ON THE **SPEC LINE DRAWINGS** LINK ON OUR WEB SITE AT [www.justmfg.com](http://www.justmfg.com)

4-24-1

**JUST MANUFACTURING COMPANY**

9233 KING STREET . FRANKLIN PARK . ILLINOIS . 60131-2111

PH: 847-678-5150 . FAX: 847-678-6817

E-MAIL: [custserv@justmfg.com](mailto:custserv@justmfg.com) . [www.justmfg.com](http://www.justmfg.com)