

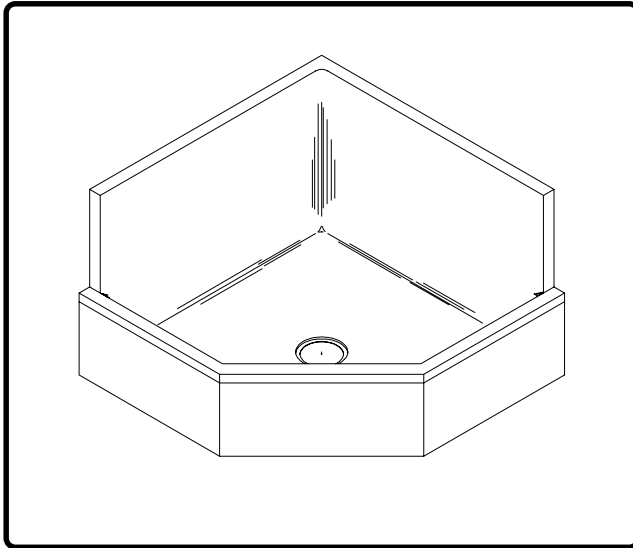


**UNDERMOUNT GROUP**

**B-33213**

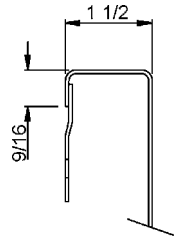
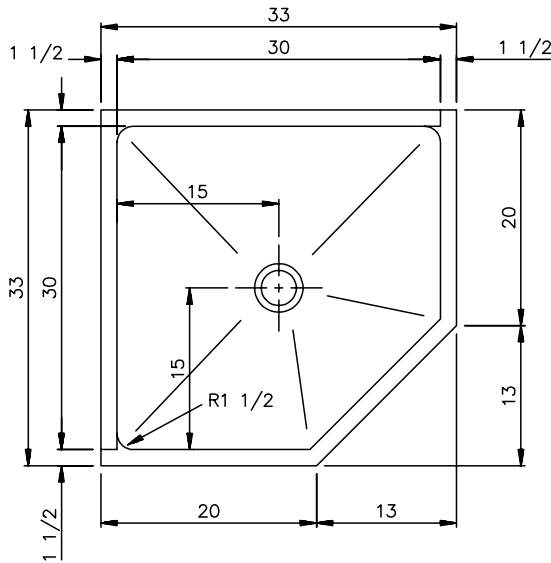
**CORNER FLOOR MOP SINK**

**SUBMITTAL DATA**

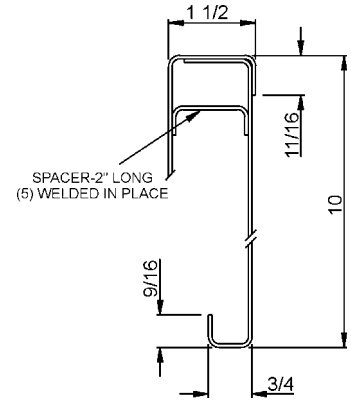


**SPECIFICATION**

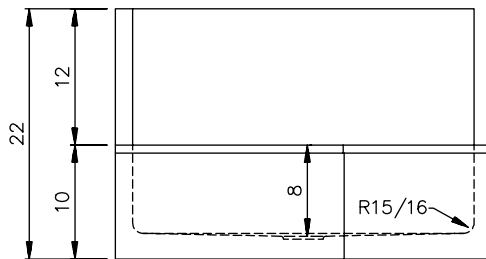
Top, bowl and apron fabricated of 16 gauge type 304 stainless steel. Interior surfaces polished with a Hand-Blended Just Finish. Exposed exterior surfaces polished with a standard brush finish. Drain punch for Just J-127-B 3" caulk drain. Furnished with two 14 gauge stainless steel wall clips and one J-127-B drain with 3" caulk connection..



**SECTION THRU BACKSPLASH**



**SECTION THRU APRON**



OPENING FOR  
J-127-B CHROME PLATED BRASS  
DRAIN WITH STAINLESS STEEL BEEHIVE  
STRAINER AND LINT BASKET (3" CAULK)

JUST MFG. COMPANY CONTINUES TO MAKE QUALITY AND FUNCTIONALITY A MARK OF THE JUST PRODUCT LINE. TO DO SO REQUIRES THAT WE RESERVE THE RIGHT TO CHANGE PRODUCT INFORMATION WITHOUT NOTICE. FOR THE MOST CURRENT AND ACCURATE INFORMATION REGARDING THE COMPLETE LINE OF JUST SINKS, FAUCETS AND DRAINS, CLICK ON THE **SPEC LINE DRAWINGS** LINK ON OUR WEB SITE AT [www.justmfg.com](http://www.justmfg.com)

Job Name \_\_\_\_\_

Customer \_\_\_\_\_

Architect/Engineer \_\_\_\_\_

**APPROVED FOR MANUFACTURING**

MODEL NO. \_\_\_\_\_ QTY. \_\_\_\_\_

COMPANY \_\_\_\_\_

TITLE \_\_\_\_\_ DATE \_\_\_\_\_

SIGNATURE \_\_\_\_\_

REVISED-5/2004

**JUST MANUFACTURING COMPANY**

9233 KING STREET . FRANKLIN PARK . ILLINOIS . 60131-2111

PH: 847-678-5150

FAX: 847-678-6817

E-MAIL: [custserv@justmfg.com](mailto:custserv@justmfg.com)

[www.justmfg.com](http://www.justmfg.com)