



# A-544-FS-P1-V

**INSTITUTIONAL GROUP  
PEDESTAL MOUNT - HANDWASH SINK  
with ACCESS PANEL & FOOT PEDAL VALVE**

**SUBMITTAL DATA**



**A-544-FS-P1-V**

**A-544-FS-P1-V**

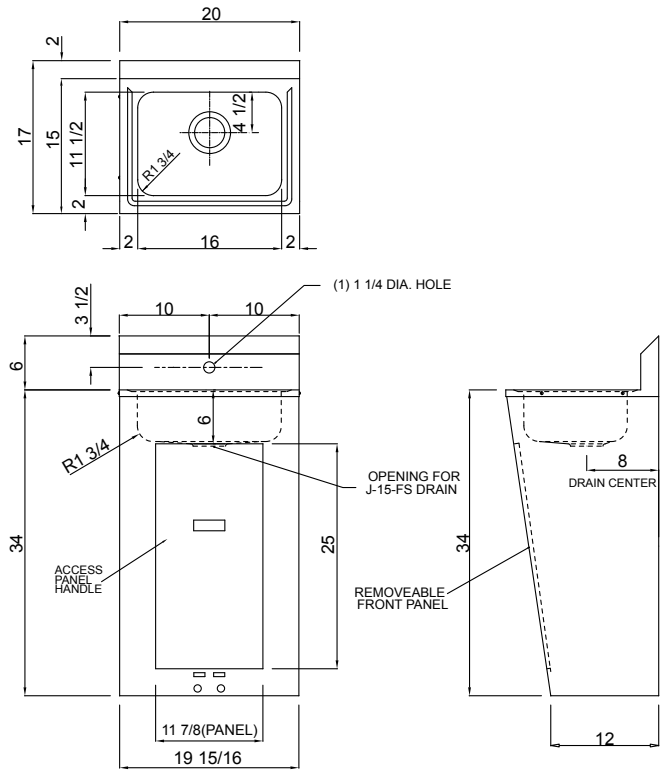
**SPECIFICATION - HANDWASH SINK**

Fabricated of 20 gauge type 304 stainless steel. Exposed surfaces polished with a Hand-Blended Just Finish. Integral support bracket at rear. Includes one 14 gauge stainless steel wall clip.

**JFVC-301** floor mounted dual pedal operated self closing foot valves. 1/2" inlets on 1-1/4" centers. Polished chrome pedals with rough chrome valve body. 1/2" outlet. Includes JS-10 wall-mounted spout.

**J-15-FS** Chrome plated brass drain with flat grid strainer. 1-1/2" O.D. chrome plated tailpiece, 4" long.

**JTN-150** P-Trap Solid, non adjustable cast brass P-trap with brass slip nut. Hex head clean out to have neoprene O-ring and top to be flush with inside bottom of J-bend.



**A-544-FS-P1-V**

APPROVED FOR MANUFACTURING

MODEL NO.: \_\_\_\_\_ QTY: \_\_\_\_\_

JOB NAME: \_\_\_\_\_

TAG/ITEM: \_\_\_\_\_

CUSTOMER: \_\_\_\_\_

SIGNATURE: \_\_\_\_\_



JUST MFG. COMPANY CONTINUES TO MAKE QUALITY AND FUNCTIONALITY A MARK OF THE JUST PRODUCT LINE. TO DO SO REQUIRES THAT WE RESERVE THE RIGHT TO CHANGE PRODUCT INFORMATION WITHOUT NOTICE. DIMENSIONS MAY VARY AND ARE SUBJECT TO CHANGE WITHOUT NOTICE. NO RESPONSIBILITY IS ASSUMED FOR USE OF SUPERCEDED OR VOIDED DATA. FOR THE MOST CURRENT AND ACCURATE INFORMATION REGARDING THE COMPLETE LINE OF JUST SINKS, FAUCETS AND DRAINS, CLICK ON THE **SPEC LINE DRAWINGS** LINK ON OUR WEB SITE AT [www.justmfg.com](http://www.justmfg.com)

**JUST MANUFACTURING COMPANY**      9233 KING STREET . FRANKLIN PARK . ILLINOIS . 60131-2111

PH: 847-678-5150    .    FAX: 847-678-6817    .    E-MAIL: [custserv@justmfg.com](mailto:custserv@justmfg.com)    .    [www.justmfg.com](http://www.justmfg.com)

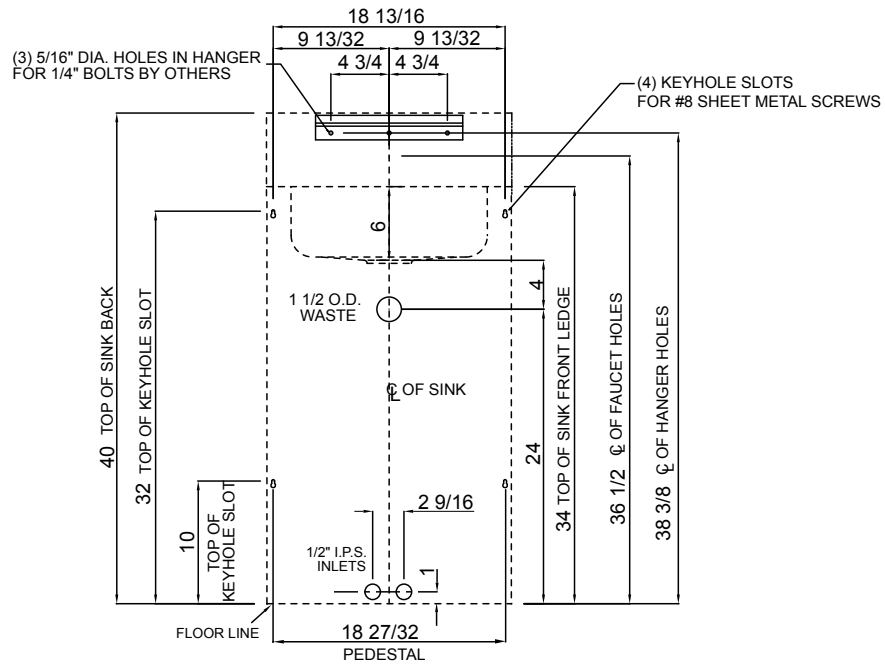
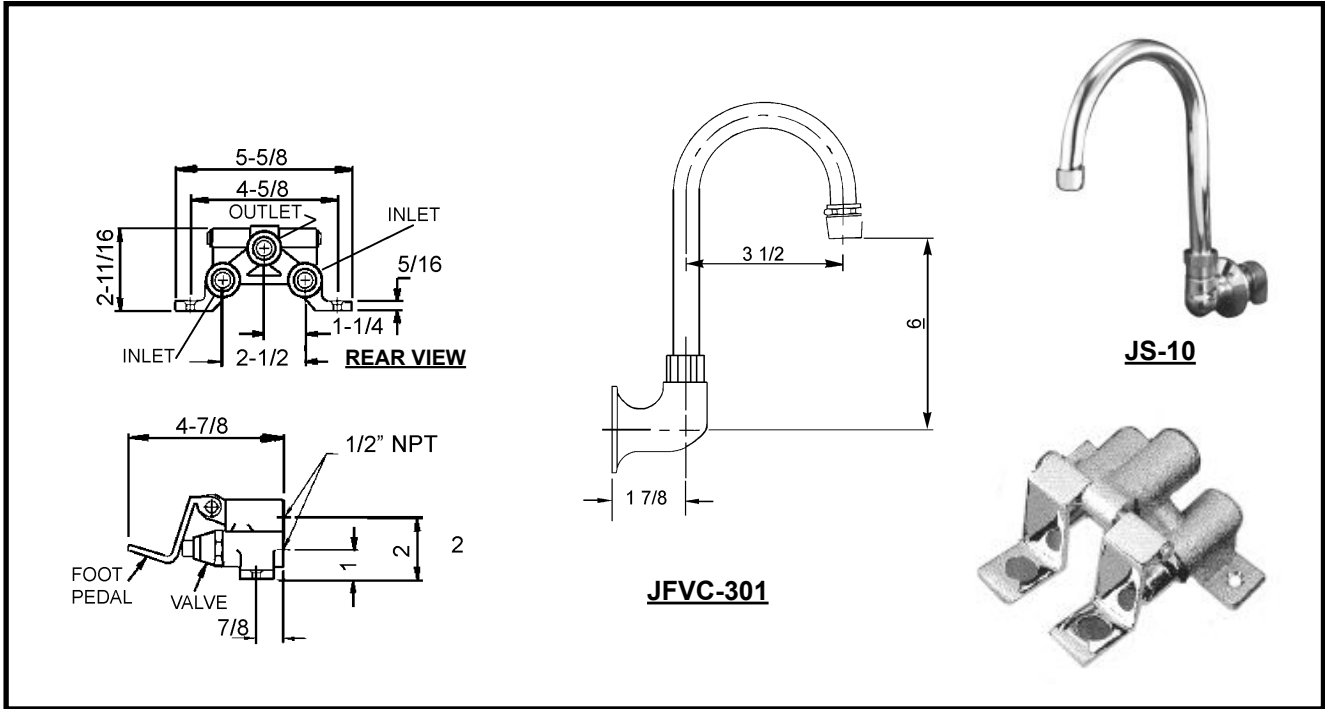


# A-544-912-P1-V

**INSTITUTIONAL GROUP**

**PEDESTAL MOUNT - HANDWASH SINK  
with ACCESS PANEL & FOOT PEDAL VALVE**

**SUBMITTAL DATA**



**ROUGH-IN DATA for  
A-544-FS-P1-V**

**JUST MANUFACTURING COMPANY**

9233 KING STREET . FRANKLIN PARK . ILLINOIS . 60131-2111

PH: 847-678-5150 . FAX: 847-678-6817 . E-MAIL: [custserv@justmfg.com](mailto:custserv@justmfg.com) . [www.justmfg.com](http://www.justmfg.com)