

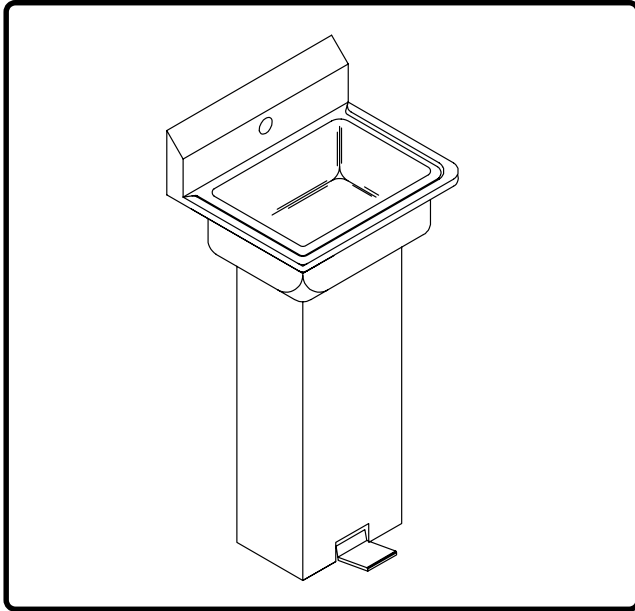


INSTITUTIONAL GROUP

A-544-912-PT

HANDWASH SINK with PEDESTAL BASE

SUBMITTAL DATA

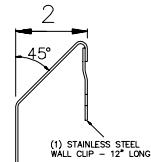
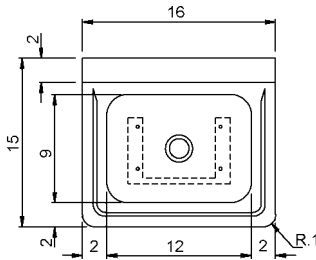


SPECIFICATION

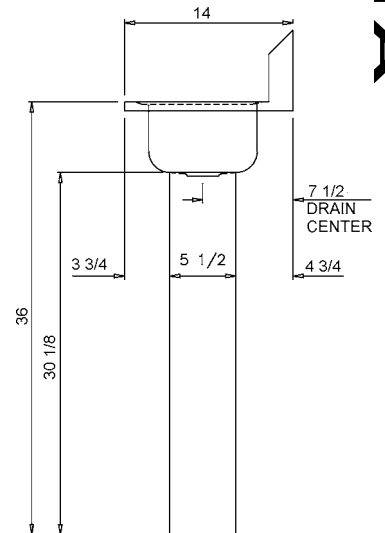
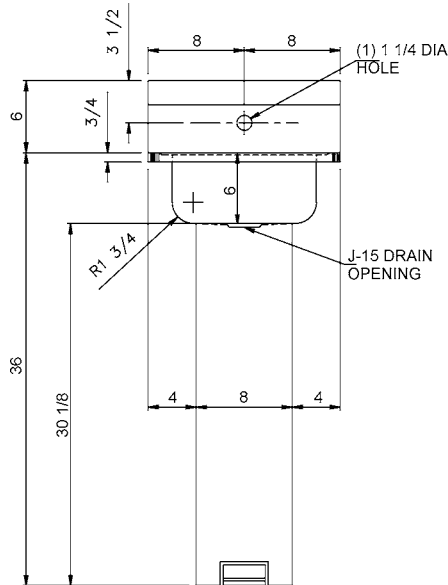
Top and bowl fabricated of 20 gauge type 304 stainless steel. Top of flange and interior of bowl to have a Hand-Blended Just Finish. Exposed exterior surfaces polished with a standard brush finish. Pedestal support of 18 gauge stainless steel. Includes one 14 gauge stainless steel wall clip. Drain punch for Just J-15-FS unless otherwise specified.

FITTINGS INCLUDED

- Gooseneck spout
- Foot pedal valve
- J-15-FS chrome plated brass drain with flat strainer



SECTION THROUGH BACKSPASH



FUNCTIONAL DESIGN, QUALITY, AND SPECIFICATIONS LISTED DESCRIBE THE JUST STANDARD OF QUALITY. WHEN MAKING COMPARISONS WITH OTHER OFFERINGS, INSIST ON THE JUST QUALITY OF CONSTRUCTION. FOR ADDITIONAL INFORMATION REGARDING THE COMPLETE LINE OF **JUST** SINKS, FAUCETS AND DRAINS, VISIT OUR WEB SITE AT www.justmfg.com

Job Name _____

Customer _____

Architect/Engineer _____

APPROVED FOR MANUFACTURING

MODEL NO. _____ QTY. _____

COMPANY _____

TITLE _____ DATE _____

SIGNATURE _____

REVISED-7/2005

JUST MANUFACTURING COMPANY

9233 KING STREET . FRANKLIN PARK . ILLINOIS . 60131-2111

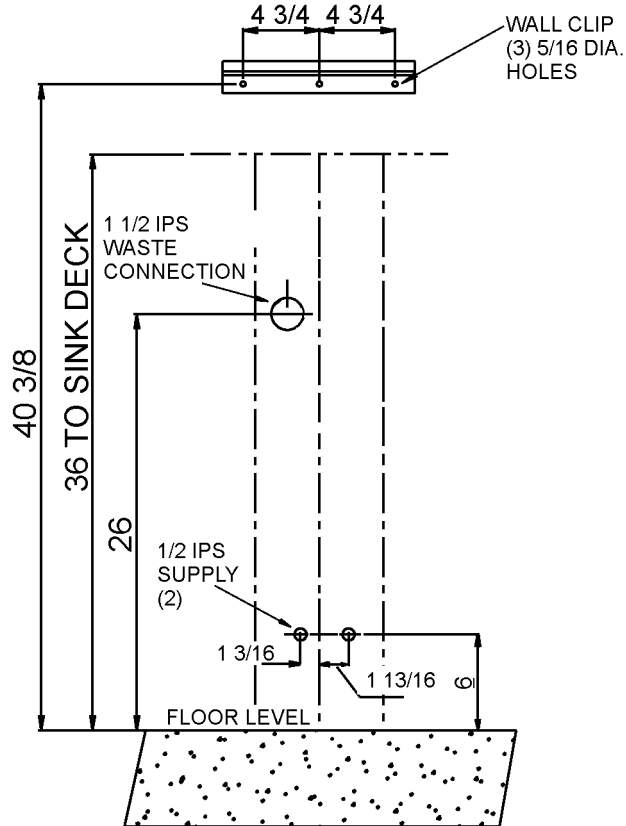
PH: 847-678-5150 . FAX: 847-678-6817 . E-MAIL: custserv@justmfg.com . www.justmfg.com



INSTITUTIONAL GROUP

A-544-912-PT ROUGH-IN DATA

SUBMITTAL DATA



JUST MFG. COMPANY CONTINUES TO MAKE QUALITY AND FUNCTIONALITY A MARK OF THE JUST PRODUCT LINE. TO DO SO REQUIRES THAT WE RESERVE THE RIGHT TO CHANGE PRODUCT INFORMATION WITHOUT NOTICE. FOR THE MOST CURRENT AND ACCURATE INFORMATION REGARDING THE COMPLETE LINE OF JUST SINKS, FAUCETS AND DRAINS, CLICK ON THE **SPEC LINE DRAWINGS** LINK ON OUR WEB SITE AT www.justmfg.com

4-16B

JUST MANUFACTURING COMPANY

9233 KING STREET . FRANKLIN PARK . ILLINOIS . 60131-2111

PH: 847-678-5150 . FAX: 847-678-6817

E-MAIL: custserv@justmfg.com . www.justmfg.com