



A-544-FS-SD-P1-V

INSTITUTIONAL GROUP PEDESTAL MOUNT - HANDWASH SINK with ACCESS PANEL , FOOT PEDAL VALVE SOAP/PAPER DISPENSER

SUBMITTAL DATA



A-544-FS-SD-P1-V

A-544-FS-P1-V

SPECIFICATION - HANDWASH SINK NO ENDSPLASHES

Fabricated of 20 gauge type 304 stainless steel. Exposed surfaces polished with a Hand-Blended Just Finish. Integral support bracket at rear. Includes one 14 gauge stainless steel wall clip.

JFVC-301 floor mounted dual pedal operated self closing foot valves. 1/2" inlets on 1-1/4" centers. Polished chrome pedals with rough chrome valve body. 1/2" outlet. Includes JS-10 wall-mounted spout.

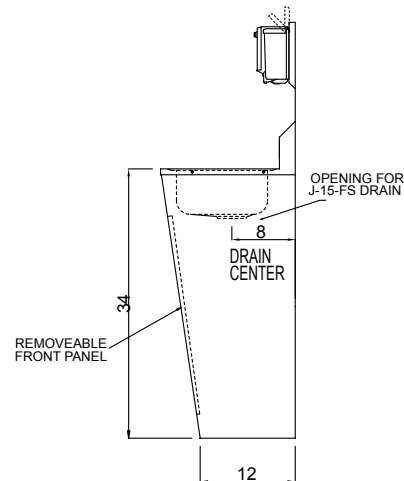
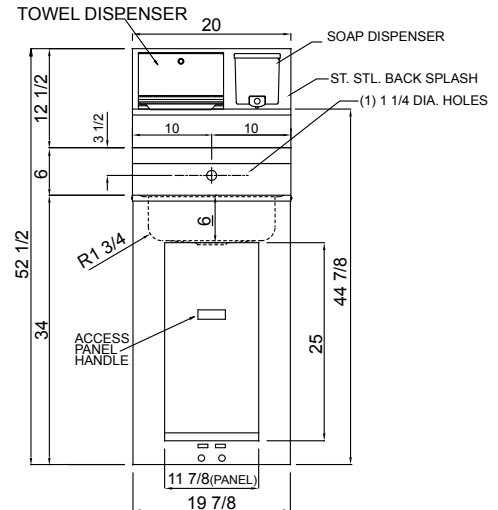
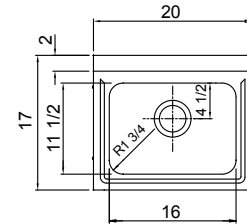
J-15-FS Chrome plated brass drain with flat grid strainer. 1-1/2" O.D. chrome plated tailpiece, 4" long.

JTN-150 P-Trap Solid, non adjustable cast brass P-trap with brass slip nut. Hex head cleanout to have neoprene O-ring and top to be flush with inside bottom of J-bend.

SOAP DISPENSER* - High impact resistant ABS. Concealed locking lid. Gray and Black.* (available in package only. not available separately)

PAPER TOWEL DISPENSER* - Satin finish stainless steel. Knob latch. Holds (200) C-Fold or (275) Multi-Fold Towels.* (available in package only. not available separately)

NOTE: SOAP AND TOWEL DISPENSER NOT SHOWN IN TOP VIEW



JUST MFG. COMPANY CONTINUES TO MAKE QUALITY AND FUNCTIONALITY A MARK OF THE JUST PRODUCT LINE. TO DO SO REQUIRES THAT WE RESERVE THE RIGHT TO CHANGE PRODUCT INFORMATION WITHOUT NOTICE. DIMENSIONS MAY VARY AND ARE SUBJECT TO CHANGE WITHOUT NOTICE. NO RESPONSIBILITY IS ASSUMED FOR USE OF SUPERCEDED OR VOIDED DATA. FOR THE MOST CURRENT AND ACCURATE INFORMATION REGARDING THE COMPLETE LINE OF JUST SINKS, FAUCETS AND DRAINS, CLICK ON THE **SPEC LINE DRAWINGS** LINK ON OUR WEB SITE AT www.justmfg.com

APPROVED FOR MANUFACTURING	
MODEL NO.:	QTY:
JOB NAME:	
TAG/ITEM:	
CUSTOMER:	
SIGNATURE:	

JUST MANUFACTURING COMPANY

9233 KING STREET . FRANKLIN PARK . ILLINOIS . 60131-2111

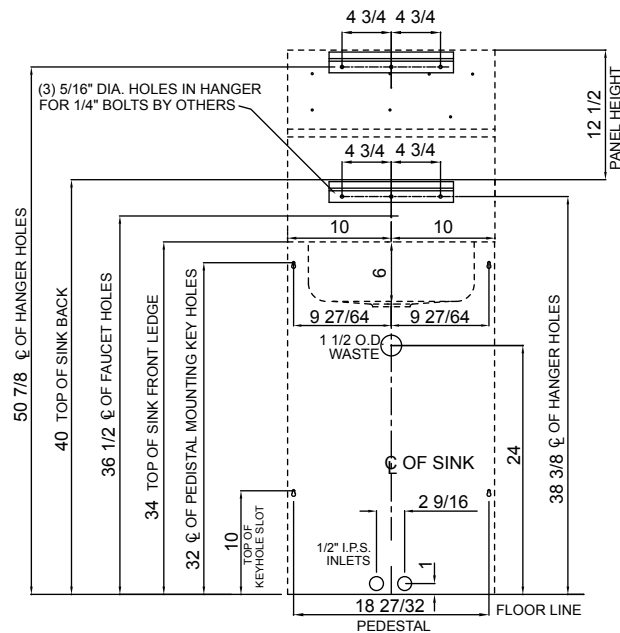
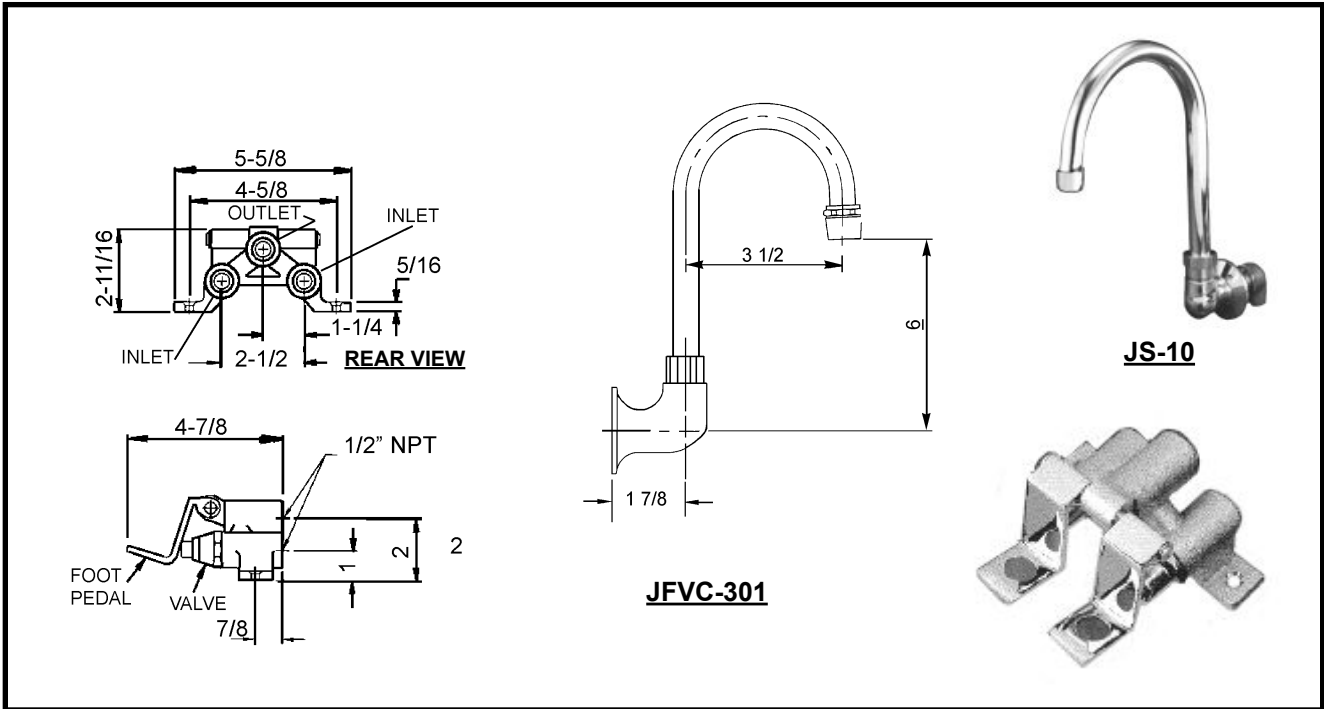
PH: 847-678-5150 . FAX: 847-678-6817 . E-MAIL: custserv@justmfg.com . www.justmfg.com



SUBMITTAL DATA

A-544-912-P1-V

INSTITUTIONAL GROUP
PEDESTAL MOUNT - HANDWASH SINK
 with ACCESS PANEL , FOOT PEDAL VALVE
 SOAP/PAPER DISPENSER



ROUGH-IN DATA for
A-544-FS-SD-P1-V

JUST MANUFACTURING COMPANY

9233 KING STREET . FRANKLIN PARK . ILLINOIS . 60131-2111

PH: 847-678-5150 . FAX: 847-678-6817 . E-MAIL: custserv@justmfg.com . www.justmfg.com