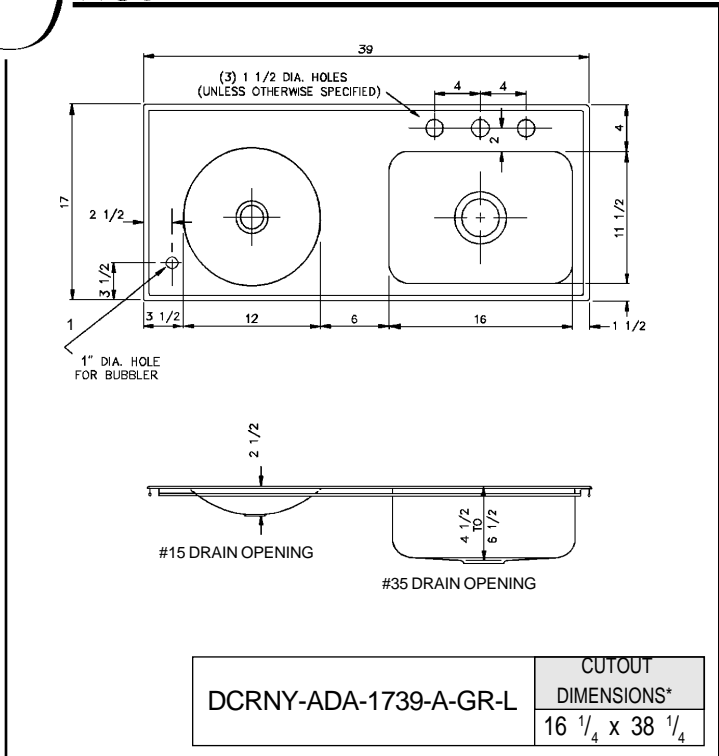
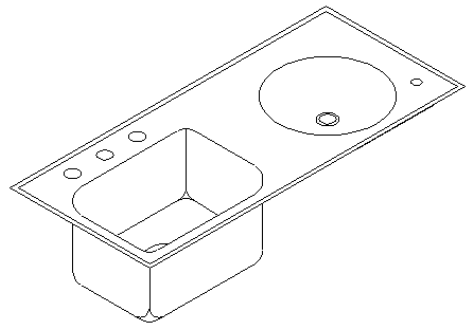


**ADA COMPLIANT
CLASSROOM SINK & DRINKING FOUNTAIN
COMBINATION
STATE OF NEW YORK
PLUMBING CODE COMPLIANT**



* Cutout dimensions shown (Front-to-Back) x (Left-to-Right) - Corners of cutout may be square or up to 1/2" radius.



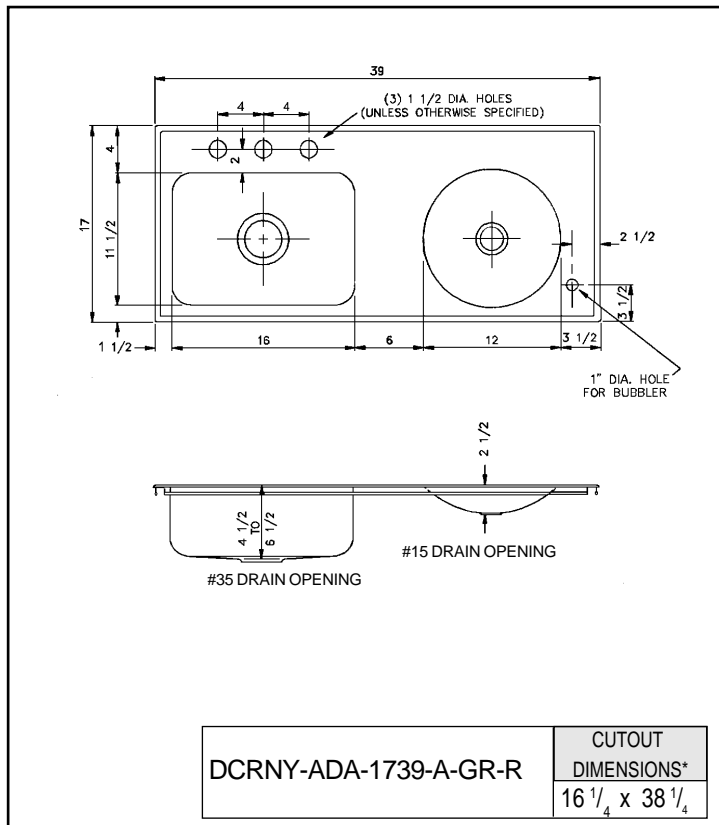
DCRNY-ADA-1739-A-GR-R



ADA COMPLIANT

SPECIFICATION

Seamless die-drawn construction of type 304, 18-8 stainless steel. Interior and top surfaces polished to a non-porous Hand-Blended Just Finish, with a highlighted bowl rim. Fully coated underside insulates for sound, and reduces condensation. Straight-sided compartment with 1 3/4" radius corners provides greater capacity. Self-rimming top mount Grip-Rim Plus with 300 series stainless steel mounting channels. Conforms to ASME/ANSI A112.19.3M. Drain punch #35 for Just J-35, and #15 for Just J-15-FS.



* Cutout dimensions shown (Front-to-Back) x (Left-to-Right) - Corners of cutout may be square or up to 1/2" radius.

<p>■ Faucet hole punching:</p> <p><input type="checkbox"/> (1) Hole Centered</p> <p><input type="checkbox"/> (2) Holes on 4" centers</p> <p><input type="checkbox"/> (3) Holes on 4" centers (illustrated)</p> <p><input type="checkbox"/> (4) Holes</p> <p><input type="checkbox"/> Alternate Punching: Faucet Model: _____ Punching required: _____</p>	<p>■ Bubbler punching:</p> <p><input type="checkbox"/> (1) Hole -Left front(see top left) for Drinking Fountain on Left</p> <p><input type="checkbox"/> (1) Hole -Right front(see lower left) for Drinking Fountain on Right</p>
--	---

Job Name _____

Customer _____

Architect/Engineer _____

APPROVED FOR MANUFACTURING

MODEL NO. _____ QTY. _____

COMPANY _____

TITLE _____ DATE _____

SIGNATURE _____