

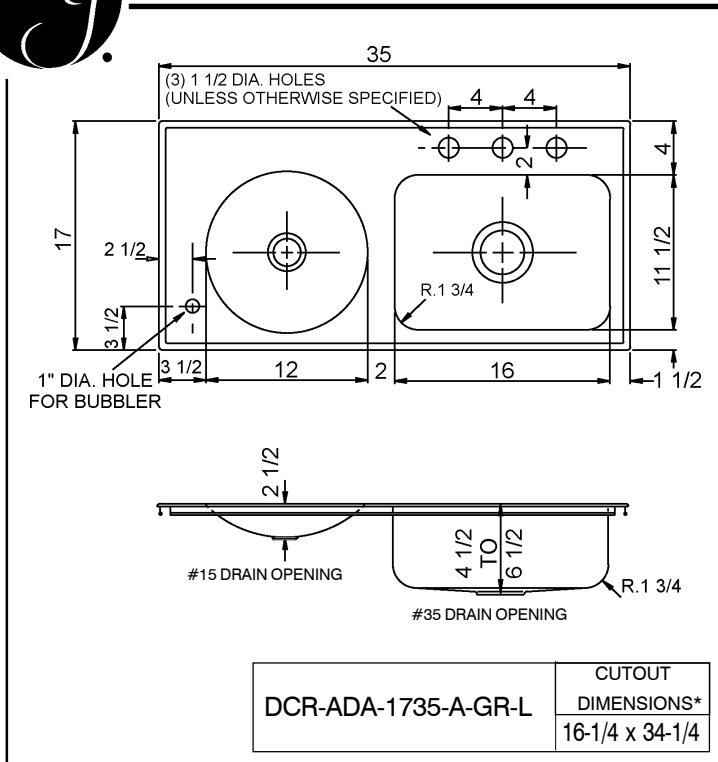


ACADEMIC GROUP

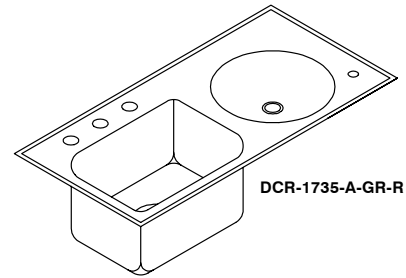
DCR-ADA-1735 - SERIES - A - 18 GA.

CLASSROOM SINK & DRINKING FOUNTAIN COMBINATION

SUBMITTAL DATA



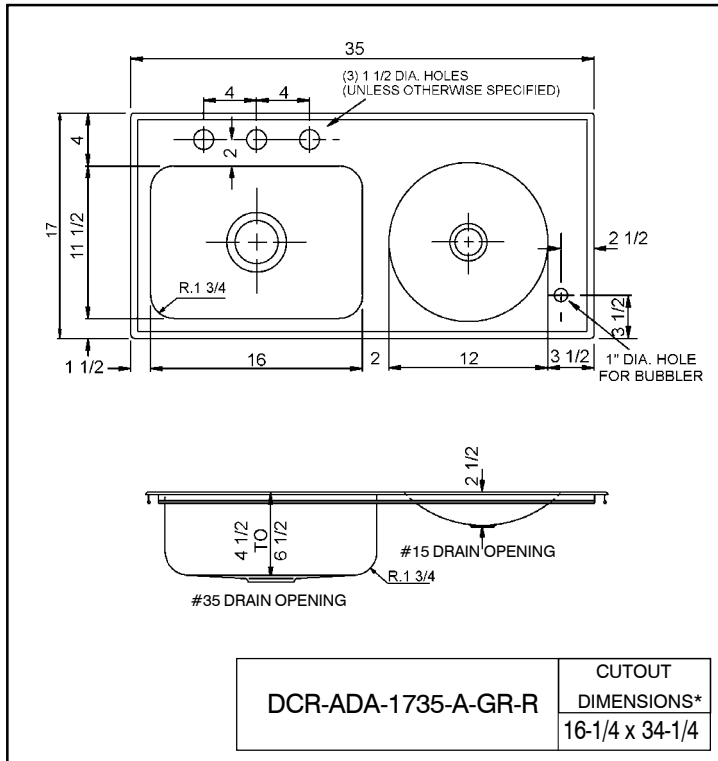
* Cutout dimensions shown (Front-to-Back) x (Left-to-Right) - Corners of cutout may be square or up to 1/2" radius.



ADA COMPLIANT

SPECIFICATION

Seamless construction of type 304, 18-8 stainless steel. Interior and top surfaces polished to a non-porous Hand-Blended Just Finish, with a highlighted bowl rim. Fully coated underside insulates for sound, and reduces condensation. Straight-sided compartment with 1 3/4" radius corners. Self-rimming top mount Grip-Rim Plus with 300 series stainless steel mounting channels. Conforms to ASME/ANSI A112.19.3M. Drain punch #35 for Just J-35, and #15 for Just J-15-FS.



* Cutout dimensions shown (Front-to-Back) x (Left-to-Right) - Corners of cutout may be square or up to 1/2" radius.

FUNCTIONAL DESIGN, QUALITY, AND SPECIFICATIONS LISTED DESCRIBE THE JUST STANDARD OF QUALITY. WHEN MAKING COMPARISONS WITH OTHER OFFERINGS, INSIST ON THE JUST QUALITY OF CONSTRUCTION. FOR ADDITIONAL INFORMATION REGARDING THE COMPLETE LINE OF JUST SINKS, FAUCETS AND DRAINS, VISIT OUR WEB SITE AT www.justmfg.com

Faucet hole punching:

- (1) Hole Centered
- (2) Holes on 4" centers
- (3) Holes on 4" centers (illustrated)
- Alternate Punching:
Faucet Model: _____
Punching required: _____

Bubbler punching:

- (1) Hole -Left front (see top left) for Drinking Fountain on Left.
- (1) Hole -Right front (see lower left) for Drinking Fountain on Right

DRAIN LOCATION MUST BE SPECIFIED (Circle one):

- CENTER (SHOWN)
- CENTER REAR
- LEFT REAR
- RIGHT REAR

LOCATIONS MUST BE A MINIMUM OF 4 1/2" FROM THE BOWL WALL. DRAIN LOCATION IN RECEPTOR AVAILABLE CENTERED ONLY.

Job Name _____

Customer _____

Architect/Engineer _____

APPROVED FOR MANUFACTURING

MODEL NO. _____ QTY. _____

COMPANY _____

TITLE _____ DATE _____

SIGNATURE _____

JUST MANUFACTURING COMPANY

9233 KING STREET . FRANKLIN PARK . ILLINOIS . 60131-2111

PH: 847-678-5150 . FAX: 847-678-6817

E-MAIL: custserv@justmfg.com . www.justmfg.com

REVISED-5/2004