



ACADEMIC GROUP



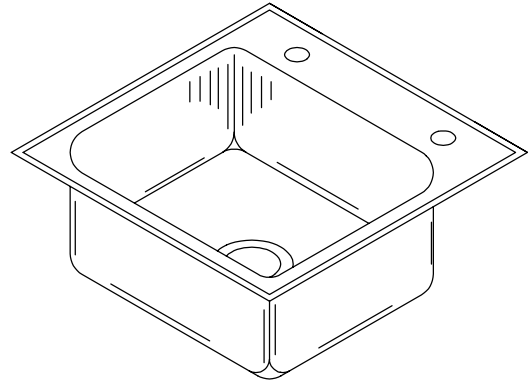
ADA COMPLIANT

SPECIFICATION

Seamless die-drawn construction of type 304, 18-8 stainless steel. Interior and top surfaces polished to a non-porous Hand-Blended Just Finish with highlighted bowl rim. Fully coated underside insulates for sound, and reduces condensation. Straight-sided compartment with 1 3/4" radius corners provides greater capacity. Self-rimming top mount Grip-Rim Plus with 300 series stainless steel mounting channels. Drain punch #35 centered for Just J-35 unless otherwise specified.

CRS-ADA - R - SERIES - A - 18 GA.

A.D.A. COMPLIANT - CLASSROOM SINKS



SUBMITTAL

DATA

To be specified :

Faucet hole punching:

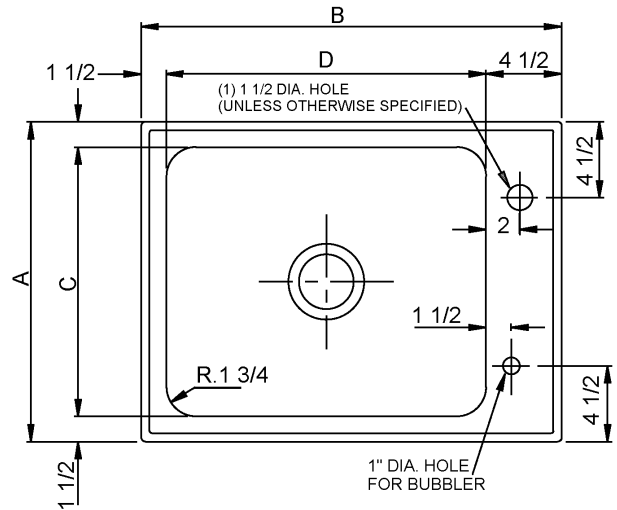
Bubbler punching:

(1) Hole Right rear (illustrated) (1) Hole -right front(illustrated)

Alternate Punching:

Faucet Model: _____

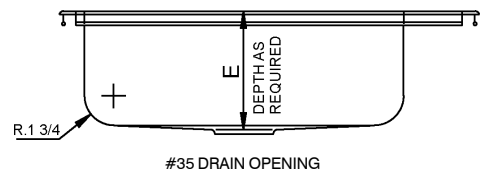
Punching required: _____



DRAIN LOCATION MUST BE SPECIFIED(Circle one):

- CENTER (SHOWN)
- LEFT REAR
- RIGHT REAR
- CENTER REAR

LOCATIONS MUST BE A MINIMUM OF 4 1/2" FROM THE BOWL WALL.



JUST MFG. COMPANY CONTINUES TO MAKE QUALITY AND FUNCTIONALITY A MARK OF THE JUST PRODUCT LINE. TO DO SO REQUIRES THAT WE RESERVE THE RIGHT TO CHANGE PRODUCT INFORMATION WITHOUT NOTICE. FOR THE MOST CURRENT AND ACCURATE INFORMATION REGARDING THE COMPLETE LINE OF JUST SINKS, FAUCETS AND DRAINS, CLICK ON THE **SPEC LINE DRAWINGS** LINK ON OUR WEB SITE AT www.justmfg.com

Job Name _____

Customer _____

Architect/Engineer _____

APPROVED FOR MANUFACTURING

MODEL NO. _____ QTY. _____

COMPANY _____

TITLE _____ DATE _____

SIGNATURE _____

MODEL NO.	A	B	C	D	E	CUTOUT*
CRS-ADA-1722-A-GR-R	17	22	14	16	4-1/2 to 6-1/2	16-1/4 x 21-1/4
CRS-ADA-1925-A-GR-R	19	25	16	19	4-1/2 to 6-1/2	18-1/4 x 24-1/4
CRS-ADA-1928-A-GR-R	19	28	16	22	4-1/2 to 6-1/2	18-1/4 x 27-1/4
CRS-ADA-2222-A-GR-R	22	22	19	16	4-1/2 to 6-1/2	21-1/4 x 21-1/4

* Cutout dimensions shown (Front-to-Back) x (Left-to-Right) - Corners of cutout may be square or up to 1/2" radius.

JUST MANUFACTURING COMPANY

9233 KING STREET . FRANKLIN PARK . ILLINOIS . 60131-2111

PH: 847-678-5150 . FAX: 847-678-6817

E-MAIL: custserv@justmfg.com . www.justmfg.com

REVISED 5/2004