

Just

MODULAR ACADEMIC GROUP



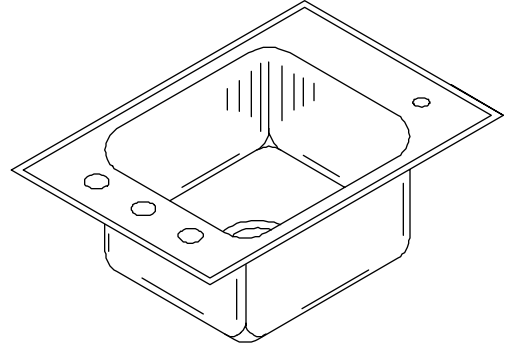
ADA COMPLIANT

SPECIFICATION

Seamless die-drawn construction of type 304, 18-8 stainless steel. Interior and top surfaces polished to a non-porous Hand-Blended Just Finish with highlighted bowl rim. Fully coated underside insulates for sound, and reduces condensation. Straight-sided compartment with 1 3/4" radius corners provides greater capacity. Self-rimming top mount Grip-Rim Plus with 300 series stainless steel mounting channels. Drain punch #35 centered for Just J-35 unless otherwise specified.

CRA-ADA - SERIES - A - 18 GA.

A.D.A. COMPLIANT - CLASSROOM SINKS
for
MODULAR and CONVENTIONAL ACADEMIC ENVIRONMENTS



SUBMITTAL DATA

To be specified :

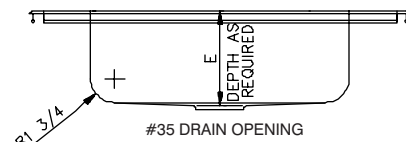
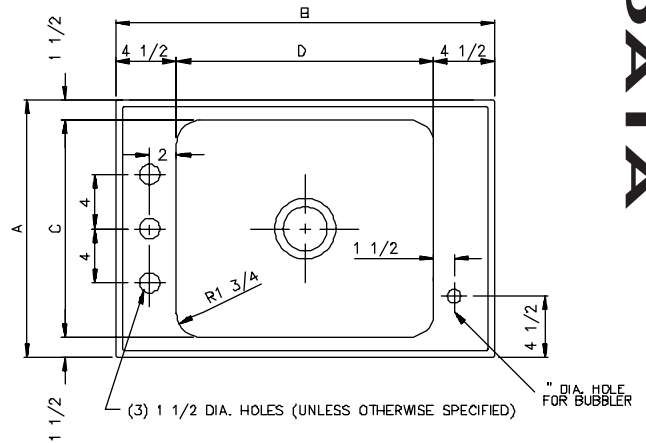
■ Faucet hole punching:

- (1) Hole Centered
- (2) Holes on 4" centers
- (3) Holes on 4" centers (illustrated)
- (4) Holes on 4" centers
- Alternate Punching:
Faucet Model: _____
Punching required: _____

DRAIN LOCATION MUST BE SPECIFIED:

- CENTER (SHOWN)
- LEFT REAR
- RIGHT REAR
- CENTER REAR

LOCATIONS MUST BE A MINIMUM OF 4 1/2" FROM THE BOWL WALL.



FUNCTIONAL DESIGN, QUALITY, AND SPECIFICATIONS LISTED DESCRIBE THE **JUST** STANDARD OF QUALITY. WHEN MAKING COMPARISONS TO OTHER OFFERINGS, INSIST ON THE **JUST** QUALITY OF CONSTRUCTION.

Job Name _____	
Customer _____	
Architect/Engineer _____	
APPROVED FOR MANUFACTURING	
MODEL NO. _____	QTY. _____
COMPANY _____	
TITLE _____	DATE _____
SIGNATURE _____	

MODEL NO.	A	B	C	D	E	CUTOUT*
CRA-ADA-1521-A-GR	15	21	12	12	4 1/2 to 6 1/2	14 1/4 x 20 1/4
CRA-ADA-14525-A-GR	14 1/2	25	11 1/2	16	4 1/2 to 6 1/2	13 3/4 x 24 1/4
CRA-ADA-1723-A-GR	17	23	14	14	4 1/2 to 6 1/2	16 1/4 x 22 1/4
CRA-ADA-1925-A-GR	19	25	16	16	4 1/2 to 6 1/2	18 1/4 x 24 1/4

* Cutout dimensions shown (Front-to-Back) x (Left-to-Right) - Corners of cutout may be square or up to 1/2" radius.

Just

MANUFACTURING COMPANY
9233 KING STREET, FRANKLIN PARK, ILLINOIS 60131
PHONE: (847) 678-5150 FAX: (847) 678-6817