

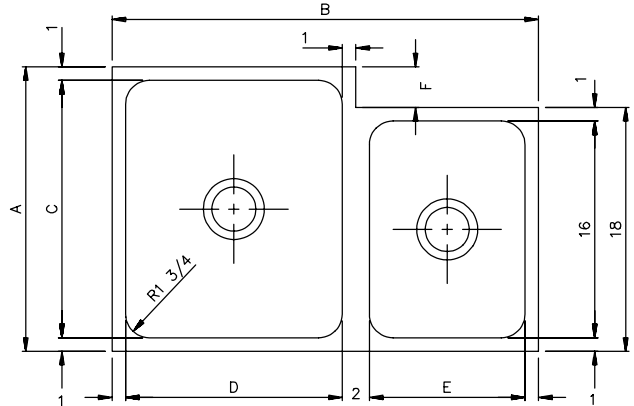
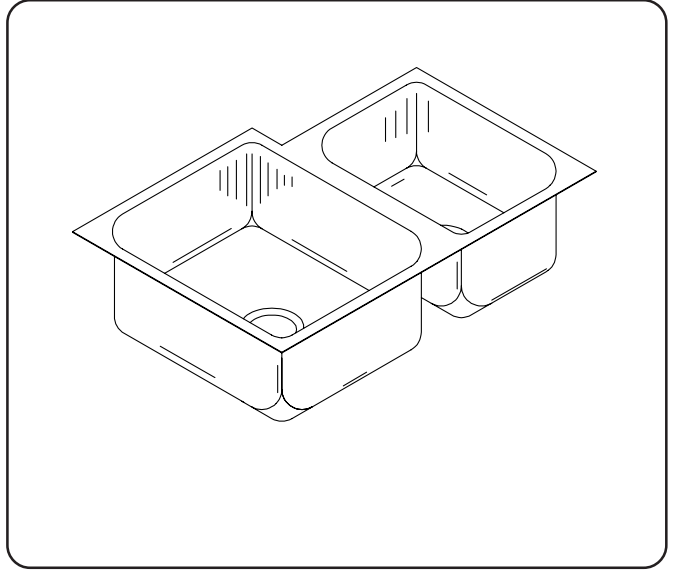


UNDERMOUNT GROUP

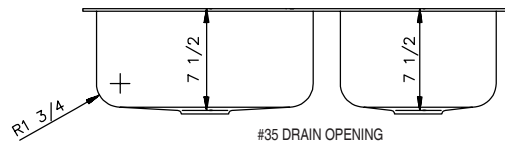
SPECIFICATION

Seamless die-drawn construction of type 304, 18-8 stainless steel. Interior and top surfaces polished to a non-porous Hand-Blended Just Finish with highlighted bowl rim. Fully coated underside insulates for sound, and reduces condensation. Straight-sided compartment with $1\frac{3}{4}$ " radius corners provides greater capacity. Conforms to ASME/ANSI A112.19.3M. Furnished with undermount clips less fasteners. Drain punch #35 centered for Just J-35 unless otherwise specified.

UODL-SERIES-A-R - 18 GA.



MODEL NO.	A	B	C	D	E	F
UODL-2032-A-R	20	32	18	14	14	2
UODL-2134-A-R	21	34	19	16	14	3
UODL-2136-A-R	21	36	19	16	16	3
UODLP-21315-A-R	21	31-1/2	19	16	11-1/2	3



SUBMITTAL DATA

Job Name _____	
Customer _____	
Architect/Engineer _____	
APPROVED FOR MANUFACTURING	
MODEL NO. _____	QTY. _____
COMPANY _____	
TITLE _____	DATE _____
SIGNATURE _____	

REVISED-5/2004

FUNCTIONAL DESIGN, QUALITY, AND SPECIFICATIONS LISTED DESCRIBE THE JUST STANDARD OF QUALITY. WHEN MAKING COMPARISONS WITH OTHER OFFERINGS, INSIST ON THE JUST QUALITY OF CONSTRUCTION. FOR ADDITIONAL INFORMATION REGARDING THE COMPLETE LINE OF **JUST** SINKS, FAUCETS AND DRAINS, VISIT OUR WEB SITE AT www.justmfg.com

JUST MANUFACTURING COMPANY
9233 KING STREET . FRANKLIN PARK . ILLINOIS . 60131-2111
PH: 847-678-5150 . FAX: 847-678-6817
E-MAIL: custserv@justmfg.com . www.justmfg.com