

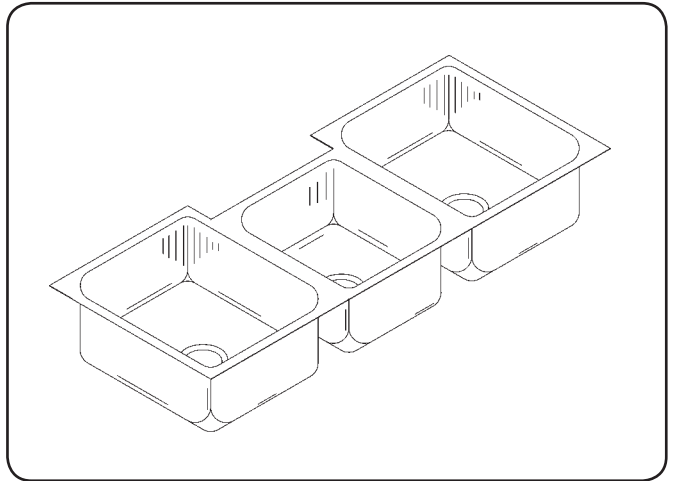


## UNDERMOUNT GROUP

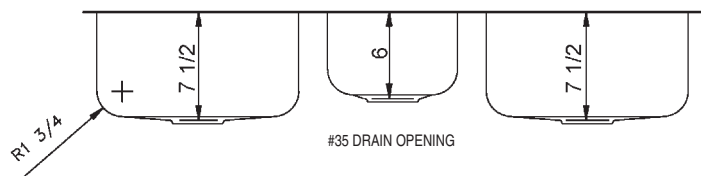
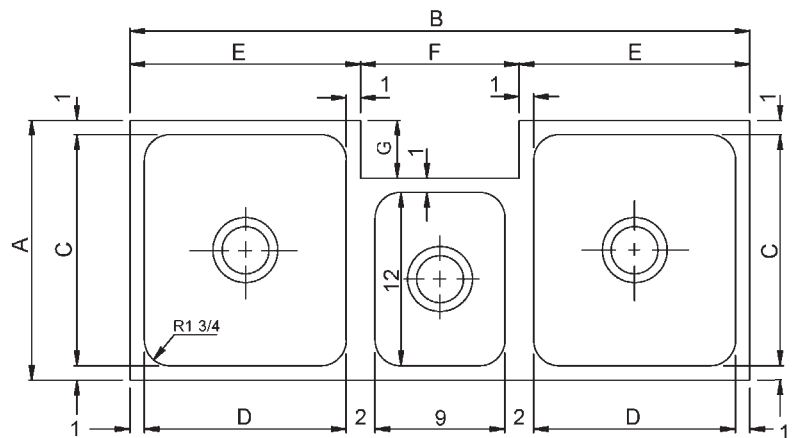
### SPECIFICATION

Seamless die-drawn construction of type 304, 18-8 stainless steel. Interior and top surfaces polished to a non-porous Hand-Blended Just Finish with highlighted bowl rim. Fully coated underside insulates for sound, and reduces condensation. Straight-sided compartment with  $1\frac{3}{4}$ " radius corners provides greater capacity. Conforms to ASME/ANSI A112.19.3M. Furnished with undermount clips less fasteners. Drain punch #35 centered for Just J-35 unless otherwise specified.

## UT-SERIES-A- 18 GA.



SUBMITTAL DATA



MODEL NO.	A	B	C	D	E	F	G
UTE-1843-A	18	43	16	14	16	11	4
UTE-2043-A	20	43	18	14	16	11	6
UTE-2147-A	21	47	19	16	18	11	7
UTEQ-1842-A	18	42	16	14	16	10	4
UTEQC-2042-A	20	42	18	14	16	10	6

FUNCTIONAL DESIGN, QUALITY, AND SPECIFICATIONS LISTED DESCRIBE THE JUST STANDARD OF QUALITY. WHEN MAKING COMPARISONS WITH OTHER OFFERINGS, INSIST ON THE JUST QUALITY OF CONSTRUCTION. FOR ADDITIONAL INFORMATION REGARDING THE COMPLETE LINE OF **JUST** SINKS, FAUCETS AND DRAINS, VISIT OUR WEB SITE AT [www.justmfg.com](http://www.justmfg.com)

Job Name \_\_\_\_\_  
 Customer \_\_\_\_\_  
 Architect/Engineer \_\_\_\_\_

APPROVED FOR MANUFACTURING

MODEL NO. \_\_\_\_\_ QTY. \_\_\_\_\_

COMPANY \_\_\_\_\_

TITLE \_\_\_\_\_ DATE \_\_\_\_\_

SIGNATURE \_\_\_\_\_

REVISED-7/2005

### JUST MANUFACTURING COMPANY

9233 KING STREET . FRANKLIN PARK . ILLINOIS . 60131-2111

PH: 847-678-5150 . FAX: 847-678-6817

E-MAIL: [custserv@justmfg.com](mailto:custserv@justmfg.com) . [www.justmfg.com](http://www.justmfg.com)