



# A-18665-TVB

## INSTITUTIONAL GROUP WALL HUNG - SERVICE SINK with FITTINGS

SUBMITTAL DATA



**ADA  
COMPLIANT**

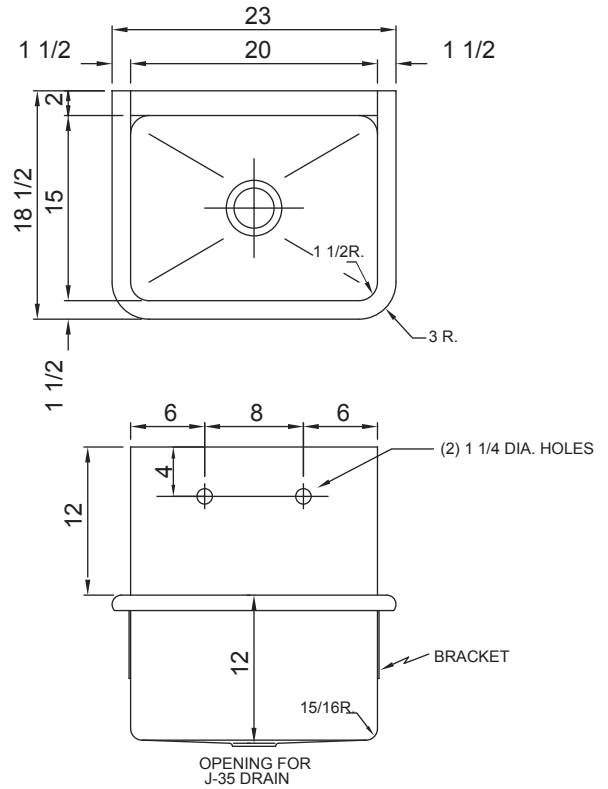
### A-18665-TVB - SPECIFICATION

Seamless welded construction, fabricated of 14 gauge type 304 stainless steel. 1-1/2" dia. roll rim on front and sides. Interior surfaces polished to a Hand-Blended Just Finish. Exposed exterior surfaces polished with a standard brush finish. Furnished with two 14 gauge type 304 stainless steel wall brackets, and one 14 gauge stainless steel wall clip. Drain punch for #35 centered for Just J-35 drain.

### INCLUDES:

**JVB-1200 Faucet** - Wall mount, solid cast brass body, rigid brass spout with vacuum breaker, pail hook with top brace and wall flange. Distance from finish wall to outlet adjustable from 9" to 9-1/2". Heavy duty quick-compression quarter turn stems and replaceable seats; with screwdriver stops built into body. Lever handles. Outlet with 3/4" hose thread. Polished PVD chrome finish.

**JTS-1060 Trap Standard** - 3" trap standard. Cast iron construction with white duco coated exterior and acid resisting coated interior. 3" female IPS outlet. Chrome plated strainer, rubber gasket and bronze clean-out plug.



**JVB-1200 Faucet**



**JTS-1060  
Trap Standard**

JUST MFG. COMPANY CONTINUES TO MAKE QUALITY AND FUNCTIONALITY A MARK OF THE JUST PRODUCT LINE. TO DO SO REQUIRES THAT WE RESERVE THE RIGHT TO CHANGE PRODUCT INFORMATION WITHOUT NOTICE. DIMENSIONS MAY VARY AND ARE SUBJECT TO CHANGE WITHOUT NOTICE. NO RESPONSIBILITY IS ASSUMED FOR USE OF SUPERCEDED OR VOIDED DATA. FOR THE MOST CURRENT AND ACCURATE INFORMATION REGARDING THE COMPLETE LINE OF JUST SINKS, FAUCETS AND DRAINS, CLICK ON THE **SPEC LINE DRAWINGS** LINK ON OUR WEB SITE AT [www.justmfg.com](http://www.justmfg.com)

APPROVED FOR MANUFACTURING	
MODEL NO.:	A-18665-TVB QTY: _____
JOB NAME:	_____
TAG/ITEM:	_____
CUSTOMER:	_____
SIGNATURE:	_____

**JUST MANUFACTURING COMPANY**

9233 KING STREET . FRANKLIN PARK . ILLINOIS . 60131-2111

PH: 847-678-5150 . FAX: 847-678-6817 . E-MAIL: [custserv@justmfg.com](mailto:custserv@justmfg.com) . [www.justmfg.com](http://www.justmfg.com)

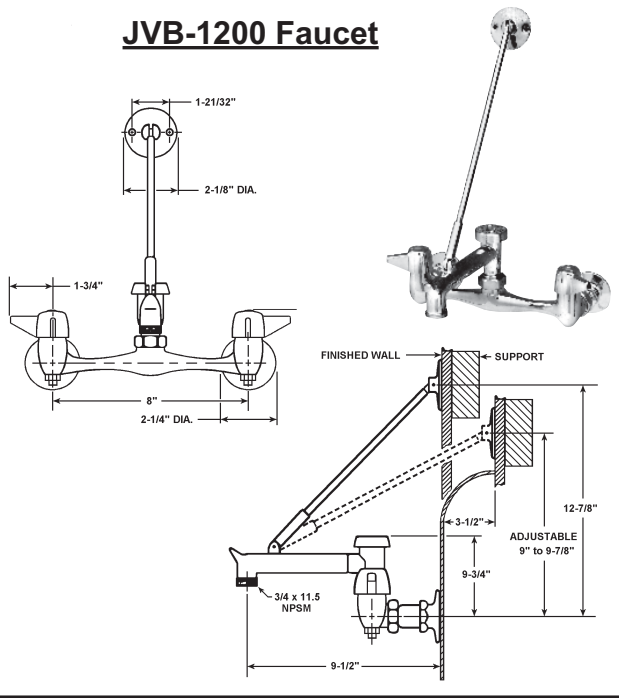


SUBMITTAL DATA

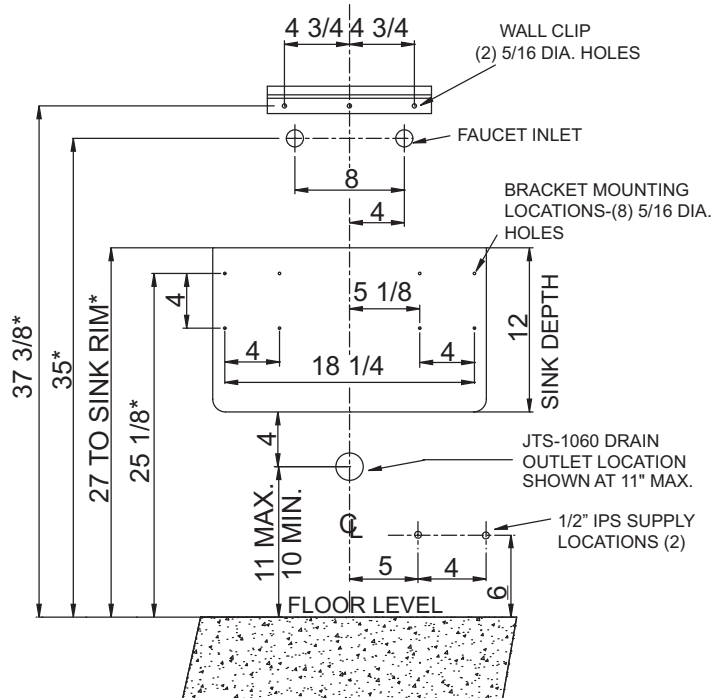
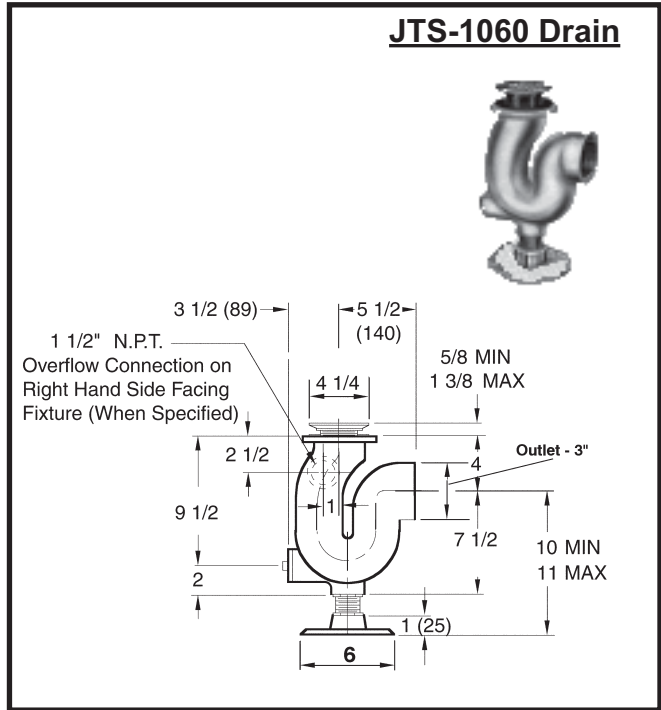
# A-18665-TVB

**INSTITUTIONAL GROUP**  
**WALL-MOUNT SERVICE SINK with FITTINGS**

**JVB-1200 Faucet**



**JTS-1060 Drain**



**A-18665-TVB**  
**ROUGH-IN DATA**

NOTE: DIMENSIONS WITH AN (\*), ARE SHOWN AT THE MAXIMUM HEIGHT OF THE SINK WITH THE DRAIN OUTLET SET AT THE MAXIMUM 11" HEIGHT.

JUST MANUFACTURING COMPANY

9233 KING STREET . FRANKLIN PARK . ILLINOIS . 60131-2111

PH: 847-678-5150 . FAX: 847-678-6817 . E-MAIL: custserv@justmfg.com . www.justmfg.com