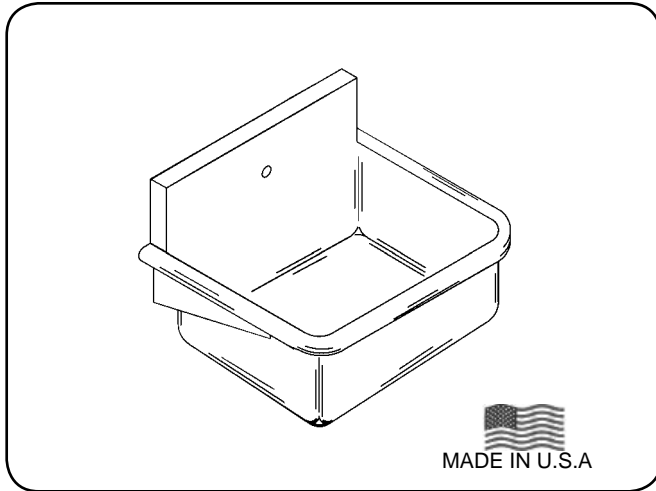




A-18664-TF

INSTITUTIONAL GROUP WALL HUNG - SERVICE SINK with FITTINGS

SUBMITTAL DATA



A-18664-TF SPECIFICATION

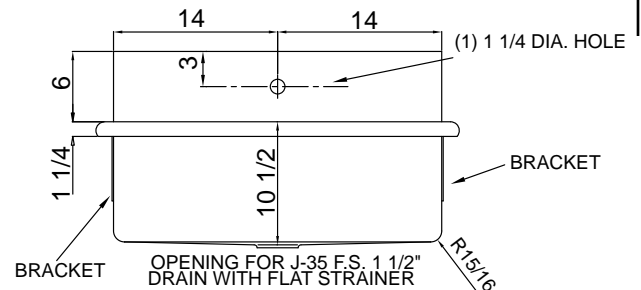
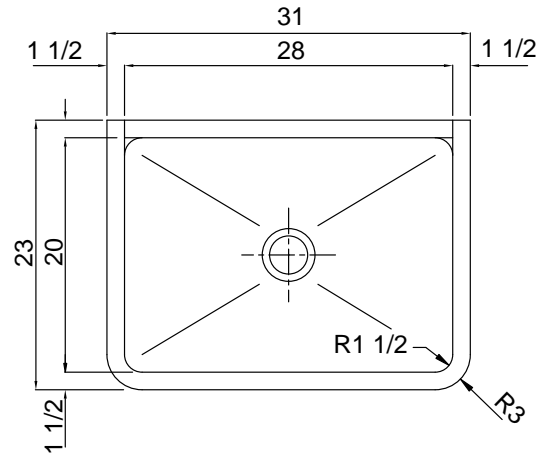
Seamless welded construction, fabricated of 14 gauge type 304 stainless steel. 1-1/2" dia. roll rim on front and sides. Interior surfaces polished to a Hand-Blended Just Finish. Exposed exterior surfaces polished with a standard brush finish. Furnished with two 14 gauge type 304 stainless steel wall brackets, and one 14 gauge stainless steel wall clip. Drain punch for #35 centered for Just J-35 drain.

INCLUDES:

JFV-320-Foot Pedal Valve - Wall mount, extra long double pedal valve with renewable slow closing valve units. Pedals flip up to clear floor area for cleaning, 1/2" inlets and outlets on 1-1/4" centers. Wall to tip of pedals approx. 14". Polished chrome finish. Loose key stops in inlets for shut-off and volume control. Includes unions and wall flanges.

JS-10 Spout - backsplash mount, chrome plated rigid gooseneck with aerator.

J-35-SSF Drain - Type 304 stainless steel drain body, flat grid strainer and 1-1/2" O.D. tailpiece (4" long).



APPROVED FOR MANUFACTURING

MODEL NO.: _____ QTY: _____

JOB NAME: _____

TAG/ITEM: _____

CUSTOMER: _____

SIGNATURE: _____

JUST MFG. COMPANY CONTINUES TO MAKE QUALITY AND FUNCTIONALITY A MARK OF THE JUST PRODUCT LINE. TO DO SO REQUIRES THAT WE RESERVE THE RIGHT TO CHANGE PRODUCT INFORMATION WITHOUT NOTICE. DIMENSIONS MAY VARY AND ARE SUBJECT TO CHANGE WITHOUT NOTICE. NO RESPONSIBILITY IS ASSUMED FOR USE OF SUPERCEDED OR VOIDED DATA. FOR THE MOST CURRENT AND ACCURATE INFORMATION REGARDING THE COMPLETE LINE OF JUST SINKS, FAUCETS AND DRAINS, CLICK ON THE **SPEC LINE DRAWINGS** LINK ON OUR WEB SITE AT www.justmfg.com

JUST MANUFACTURING COMPANY

9233 KING STREET . FRANKLIN PARK . ILLINOIS . 60131-2111

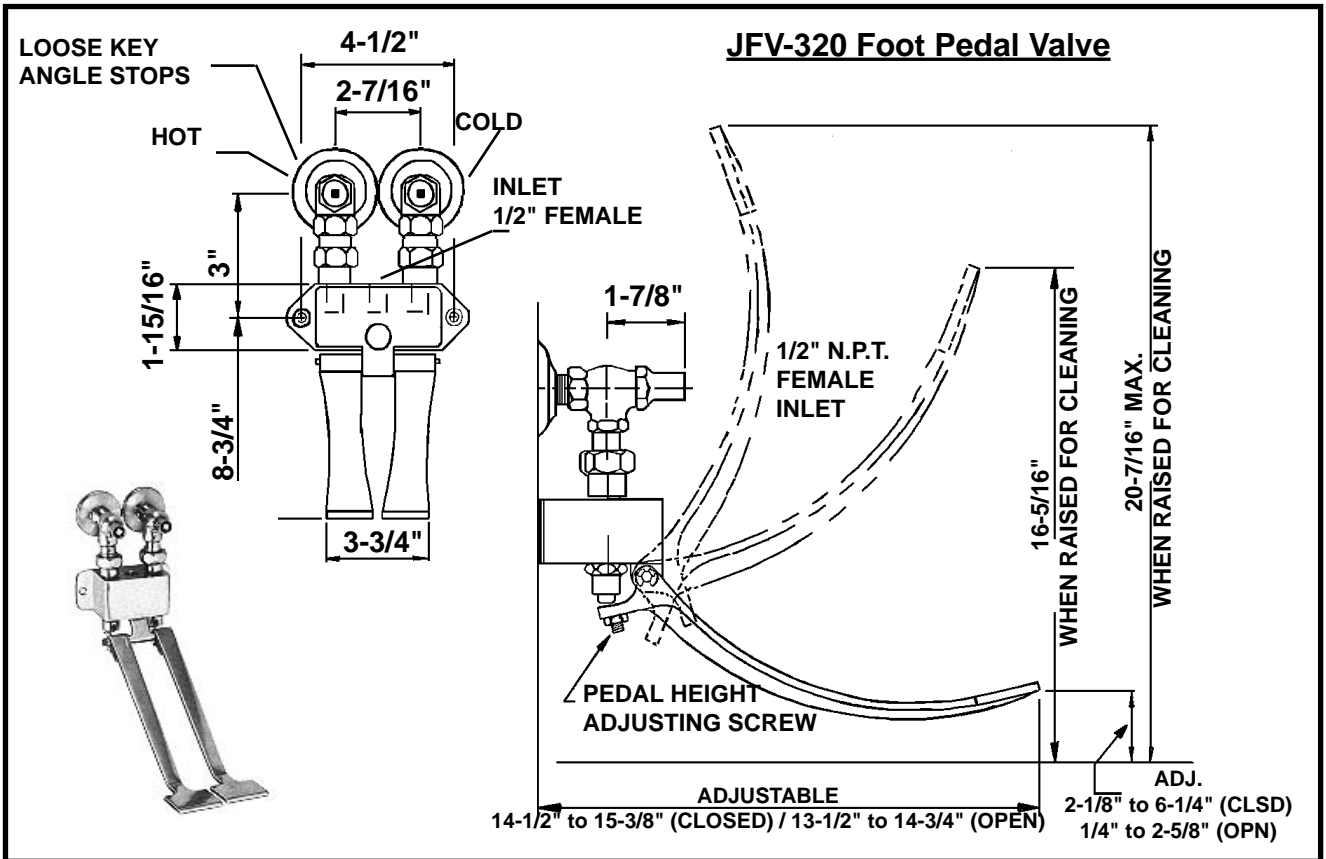
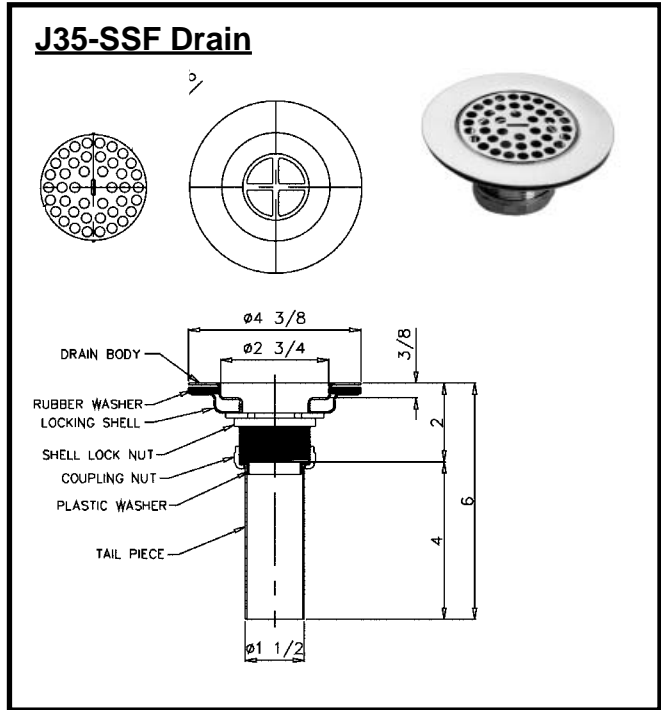
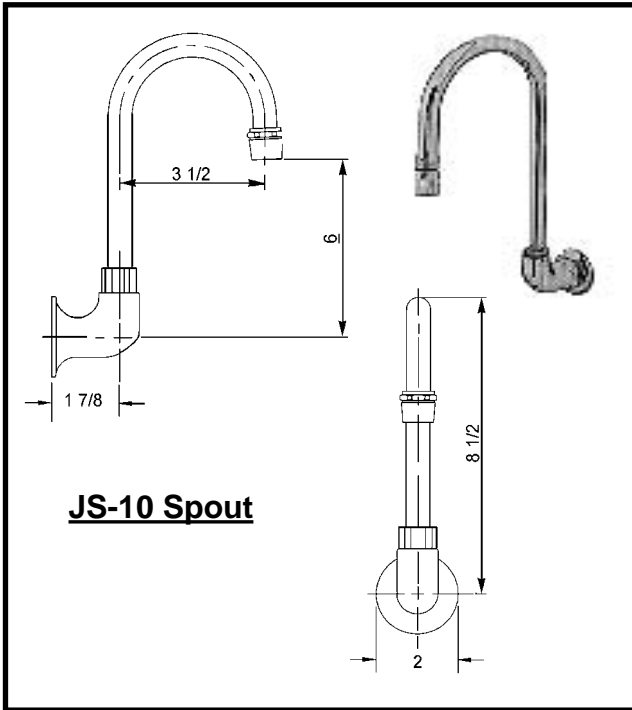
PH: 847-678-5150 . FAX: 847-678-6817 . E-MAIL: custserv@justmfg.com . www.justmfg.com



A-18664-TF

INSTITUTIONAL GROUP
WALL-MOUNT SERVICE SINK with FITTINGS

SUBMITTAL DATA



JUST MANUFACTURING COMPANY

9233 KING STREET . FRANKLIN PARK . ILLINOIS . 60131-2111

PH: 847-678-5150 . FAX: 847-678-6817 . E-MAIL: custserv@justmfg.com . www.justmfg.com