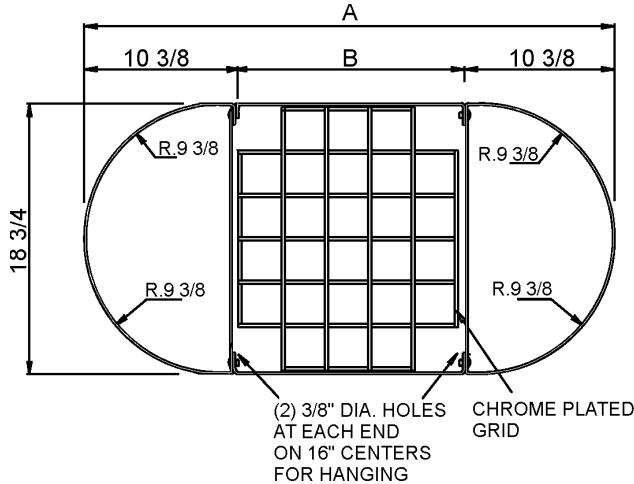
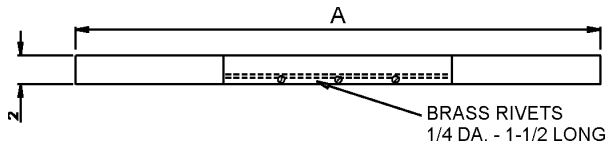




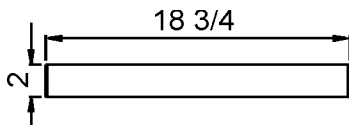
DESIGNER SERIES



TOP VIEW

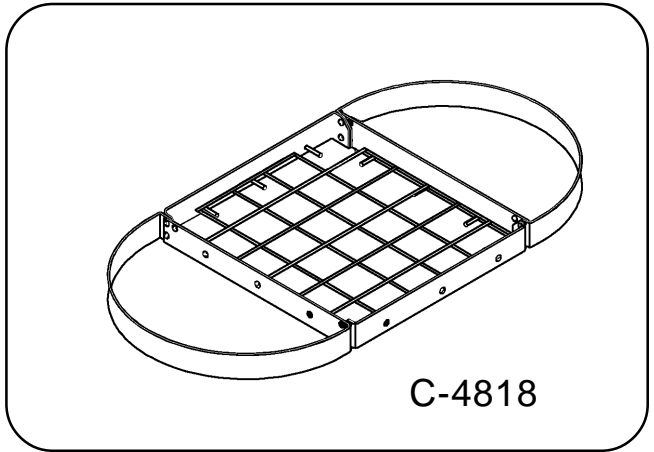


FRONT VIEW



SIDE VIEW

C-Series Potrack

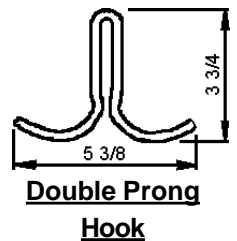
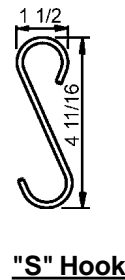
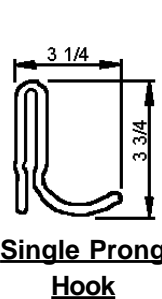


C-4818

SPECIFICATION

Potrack frame of 1/8" thick Type 304 stainless steel, surfaces to have a brush finish. Grid of 1/4" dia. chrome plated steel. Grid supported on 1-1/2" long brass pins. Stainless steel bolts and brass nuts included. Includes "S" hooks, double and single prong hooks.

Model No.	A	B	"S" Hooks	Single Prong Hooks	Double Prong Hooks
C-3618	36 3/4	16	8	4	4
C-4818	47 7/8	27 1/8	12	4	4



JUST MFG. COMPANY CONTINUES TO MAKE QUALITY AND FUNCTIONALITY A MARK OF THE JUST PRODUCT LINE. TO DO SO REQUIRES THAT WE RESERVE THE RIGHT TO CHANGE PRODUCT INFORMATION WITHOUT NOTICE. DIMENSIONS MAY VARY AND ARE SUBJECT TO CHANGE WITHOUT NOTICE. NO RESPONSIBILITY IS ASSUMED FOR USE OF SUPERCEDED OR VOIDED DATA. FOR THE MOST CURRENT AND ACCURATE INFORMATION REGARDING THE COMPLETE LINE OF JUST SINKS, FAUCETS AND DRAINS, CLICK ON THE SPEC LINE DRAWINGS LINK ON OUR WEB SITE AT www.justsinks.com

Job Name _____

Customer _____

Architect/Engineer _____

APPROVED FOR MANUFACTURING

MODEL NO. _____ QTY. _____

COMPANY _____

TITLE _____ DATE _____

SIGNATURE _____

52004

SUBMITTAL DATA