



FUNCTIONAL GROUP

SPECIFICATION

Seamless die-drawn construction of type 304, 18-8 stainless steel. Interior and top surfaces polished to a non-porous Hand-Blended Just Finish with highlighted bowl rim. Fully coated underside insulates for sound, and reduces condensation. Straight-sided compartment with $1\frac{3}{4}$ " radius corners provides greater capacity. Self-rimming top mount Grip-Rim Plus with 300 series stainless steel mounting channels. Conforms to ASME/ANSI A112.19.3M. Drain punch #35 centered for Just J-35 unless otherwise specified.

■ INCLUDES:

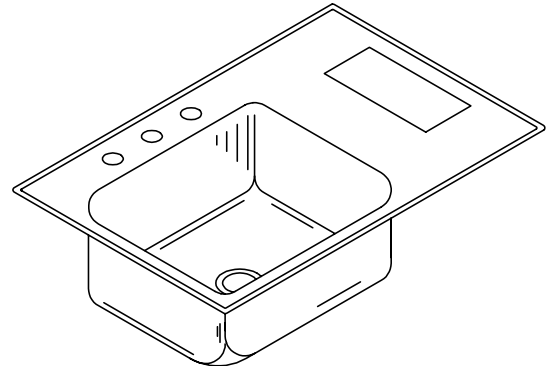
- NuTone built-in blender and food processor with under counter power unit. Blender includes blender jar and lid. Food processor finished with bowl, cover, cutting/mixing blade, slicer disc, shredder, disc, french fry disc and base adapter.

To be specified :

- Faucet hole punching:
 - (1) Hole Centered
 - (2) Holes on 4" centers
 - (3) Holes on 4" centers (illustrated)
 - (4) Holes on 4" centers
- Alternate Punching:
Faucet Model: _____
- Punching required: _____

BS-2233-A-GR-R-NT

SINGLE BOWL-BLENDER/PROCESSOR SINK

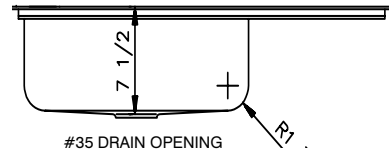
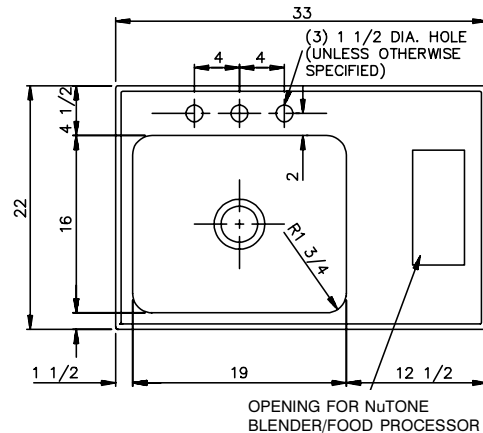


NO LONGER AVAILABLE

BS-2233-A-GR-R-NT

CUTOUT DIMENSIONS*
21-1/4 x 32-1/4

* Cutout dimensions shown (Front-to-Back) x (Left-to-Right) - corners of cutout may be square or any radius up to 1/2".



FUNCTIONAL DESIGN, QUALITY, AND SPECIFICATIONS LISTED DESCRIBE THE JUST STANDARD OF QUALITY. WHEN MAKING COMPARISONS WITH OTHER OFFERINGS, INSIST ON THE JUST QUALITY OF CONSTRUCTION. FOR ADDITIONAL INFORMATION REGARDING THE COMPLETE LINE OF **JUST** SINKS, FAUCETS AND DRAINS, VISIT OUR WEB SITE AT www.justmfg.com

Job Name _____
Customer _____
Architect/Engineer _____

APPROVED FOR MANUFACTURING	
MODEL NO. _____	QTY. _____
COMPANY _____	
TITLE _____	DATE _____
SIGNATURE _____	

JUST MANUFACTURING COMPANY

9233 KING STREET . FRANKLIN PARK . ILLINOIS . 60131-2111

PH: 847-678-5150

FAX: 847-678-6817

E-MAIL: custserv@justmfg.com

www.justmfg.com

REVISED-5/2003