

# Just FUNCTIONAL GROUP

## SPECIFICATION

Seamless die-drawn construction of type 304, 18-8 stainless steel. Interior and top surfaces polished to a non-porous Hand-Blended Just Finish with highlighted bowl rim. Fully coated underside insulates for sound, and reduces condensation. Straight-sided compartment with  $1\frac{3}{4}$ " radius corners provides greater capacity. Self-rimming top mount Grip-Rim Plus with 300 series stainless steel mounting channels. Conforms to ASME/ANSI A112.19.3M. Drain punch #35 centered-rear for Just J-35 unless otherwise specified.

## KE SERIES - B - GR - 20 GA.

### KITCHEN-EASE SINK - SINGLE BOWL



SUBMITTAL DATA

#### To be specified :

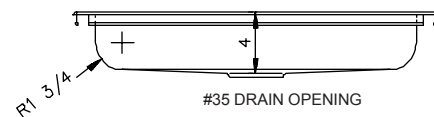
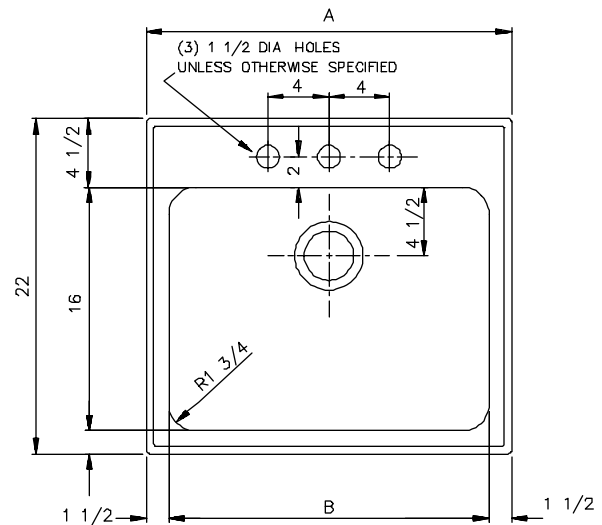
■ Faucet hole punching:

- (1) Hole Centered
- (2) Holes on 4" centers
- (3) Holes on 4" centers (illustrated)
- (4) Holes on 4" centers

Alternate Punching:

Faucet Model: \_\_\_\_\_

Punching required: \_\_\_\_\_



FUNCTIONAL DESIGN, QUALITY, AND SPECIFICATIONS LISTED DESCRIBE THE JUST STANDARD OF QUALITY. WHEN MAKING COMPARISONS WITH OTHER OFFERINGS, INSIST ON THE JUST QUALITY OF CONSTRUCTION.

Job Name _____
Customer _____
Architect/Engineer _____
<b>APPROVED FOR MANUFACTURING</b>
MODEL NO. _____ QTY. _____
COMPANY _____
TITLE _____ DATE _____
SIGNATURE _____

MODEL NO.	A	B	CUTOUT*
KE-2217-B-GR	17	14	21 1/4 x 16 1/4
KE-2225-B-GR	25	22	21 1/4 x 24 1/4

\* Cutout dimensions shown (Front-to-Back) x (Left-to-Right) - Corners of cutout may be square or up to 1/2" radius.

Just

MANUFACTURING COMPANY  
9233 KING STREET, FRANKLIN PARK, ILLINOIS 60131  
PHONE: (847) 678-5150 FAX: (847) 678-6817