



FUNCTIONAL GROUP

SPECIFICATION

Seamless die-drawn construction of type 304, 18-8 stainless steel. Interior and top surfaces polished to a non-porous Hand-Blended Just Finish with highlighted bowl rim. Fully coated underside insulates for sound, and reduces condensation. Straight-sided compartment with 1 3/4" radius corners provides greater capacity. Self-rimming top mount Grip-Rim Plus with 300 series stainless steel mounting channels. Conforms to ASME/ANSI A112.19.3M. Drain punch #35 centered for Just J-35 unless otherwise specified.

INCLUDES:

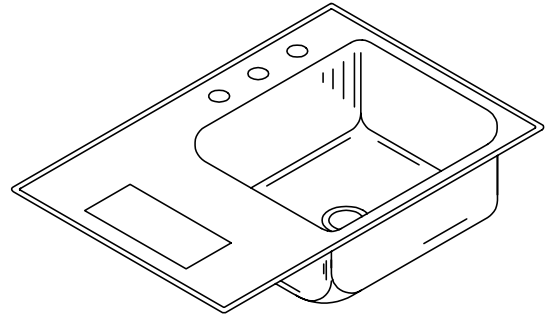
- NuTone built-in blender and food processor with under counter power unit. Blender includes blender jar and lid. Food processor finished with bowl, cover, cutting/mixing blade, slicer disc, shredder, disc, french fry disc and base adapter.

To be specified :

- Faucet hole punching:
 - (1) Hole Centered
 - (2) Holes on 4" centers
 - (3) Holes on 4" centers (illustrated)
 - (4) Holes on 4" centers
- Alternate Punching:
 - Faucet Model: _____
 - Punching required: _____

BS-2233-A-GR-L-NT

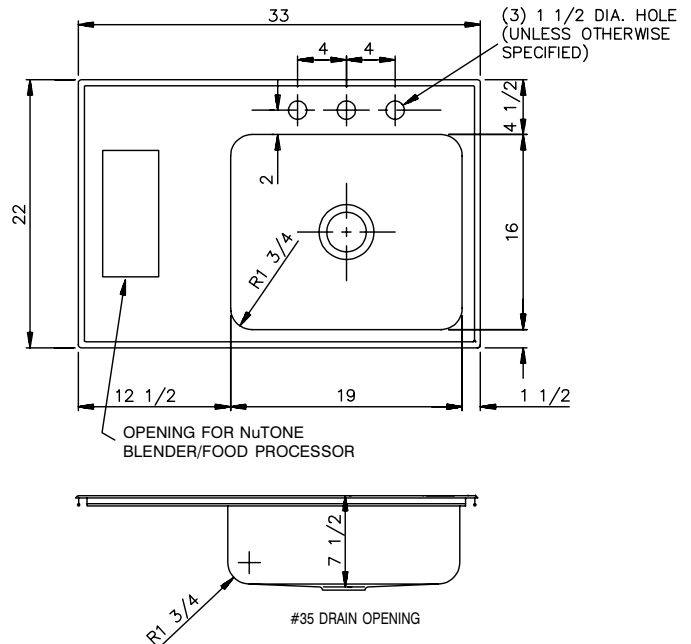
SINGLE BOWL-BLENDER/PROCESSOR SINK



NO LONGER AVAILABLE

BS-2233-A-GR-L-NT	CUTOUT DIMENSIONS*
	21-1/4 x 32-1/4

* Cutout dimensions shown (Front-to-Back) x (Left-to-Right) - corners of cutout may be square or any radius up to 1/2".



FUNCTIONAL DESIGN, QUALITY, AND SPECIFICATIONS LISTED DESCRIBE THE JUST STANDARD OF QUALITY. WHEN MAKING COMPARISONS WITH OTHER OFFERINGS, INSIST ON THE JUST QUALITY OF CONSTRUCTION. FOR ADDITIONAL INFORMATION REGARDING THE COMPLETE LINE OF **JUST** SINKS, FAUCETS AND DRAINS, VISIT OUR WEB SITE AT www.justmfg.com

Job Name _____

Customer _____

Architect/Engineer _____

APPROVED FOR MANUFACTURING

MODEL NO. _____ QTY. _____

COMPANY _____

TITLE _____ DATE _____

SIGNATURE _____

SUBMITTAL DATA

REVISED-5/2003