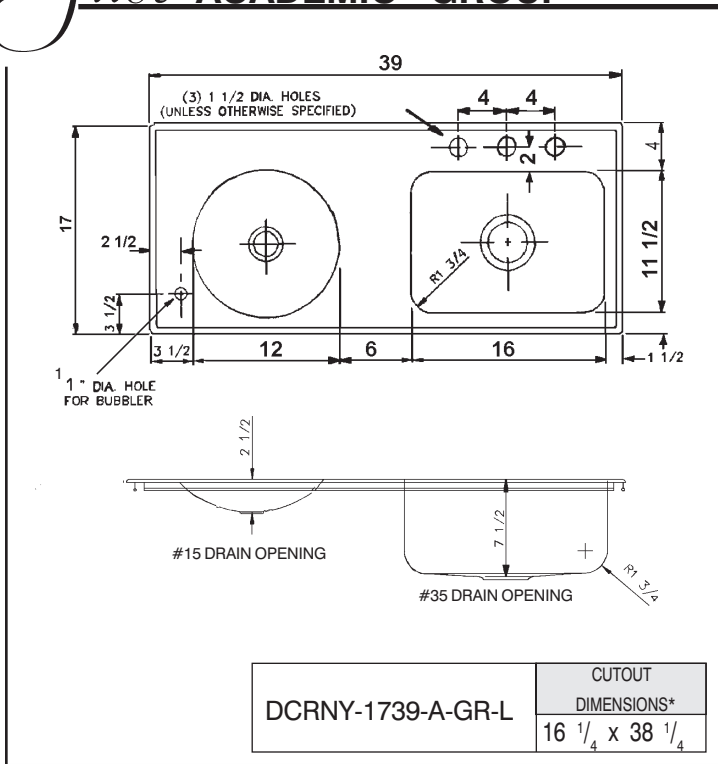
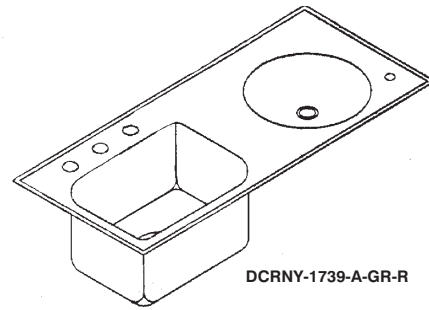


**CLASSROOM SINK & DRINKING FOUNTAIN
COMBINATION
STATE OF NEW YORK
PLUMBING CODE COMPLIANT**



* Cutout dimensions shown (Front-to-Back) x (Left-to-Right) - Corners of cutout may be square or up to 1/2" radius.



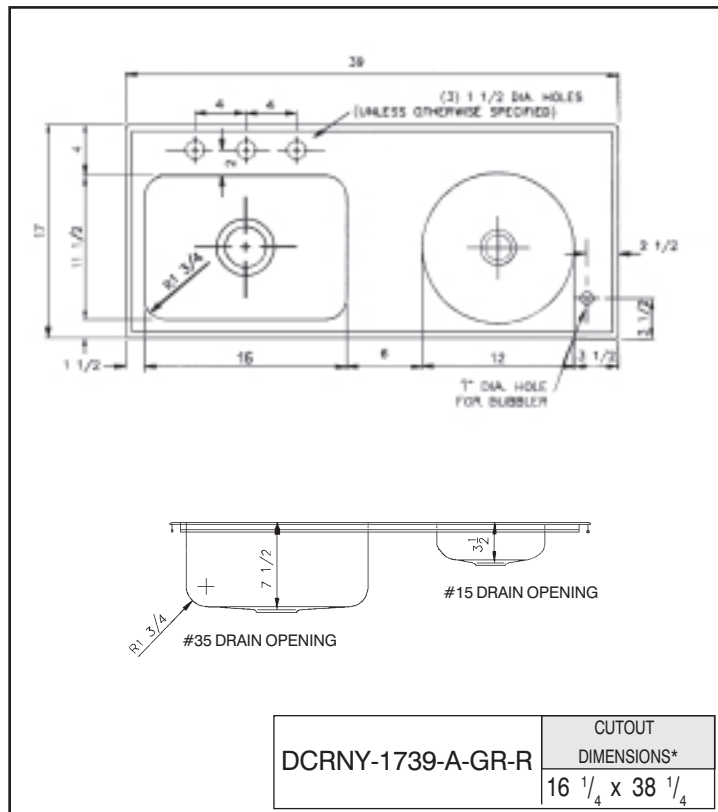
DCRNY-1739-A-GR-R



**AVAILABLE
ADA COMPLIANT**

SPECIFICATION

Seamless die-drawn construction of type 304, 18-8 stainless steel. Interior and top surfaces polished to a non-porous Hand-Blended Just Finish, with a highlighted bowl rim. Fully coated underside insulates for sound, and reduces condensation. Straight-sided compartment with 1 3/4" radius corners provides greater capacity. Self-rimming top mount Grip-Rim Plus with 300 series stainless steel mounting channels. Conforms to ASME/ANSI A112.19.3M. Drain punch #35 for Just J-35, and #15 for Just J-15-FS unless otherwise specified.



* Cutout dimensions shown (Front-to-Back) x (Left-to-Right) - Corners of cutout may be square or up to 1/2" radius.

■ Faucet hole punching:	■ Bubbler punching:
<input type="checkbox"/> (1) Hole Centered	<input type="checkbox"/> (1) Hole -Left front(see top left) for Drinking Fountain on Left
<input type="checkbox"/> (2) Holes on 4" centers	<input type="checkbox"/> (1) Hole -Right front(see lower left) for Drinking Fountain
<input type="checkbox"/> (3) Holes on 4 "centers(illustrated) on Right	
<input type="checkbox"/> (4) Holes	
<input type="checkbox"/> Alternate Punching: Faucet Model: _____	
Punching required: _____	

Job Name _____

Customer _____

Architect/Engineer _____

APPROVED FOR MANUFACTURING

MODEL NO. _____ QTY. _____

COMPANY _____

TITLE _____ DATE _____

SIGNATURE _____

Just MANUFACTURING COMPANY
9233 KING STREET, FRANKLIN PARK, ILLINOIS 60131
PHONE: (847) 678-5150 FAX: (847) 678-6817