

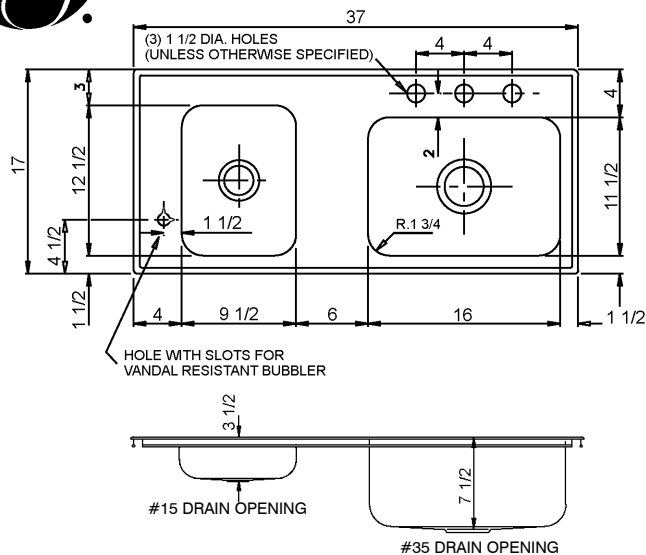


# ACADEMIC GROUP

# DCR-1737-VR - SERIES - A - 18 GA.

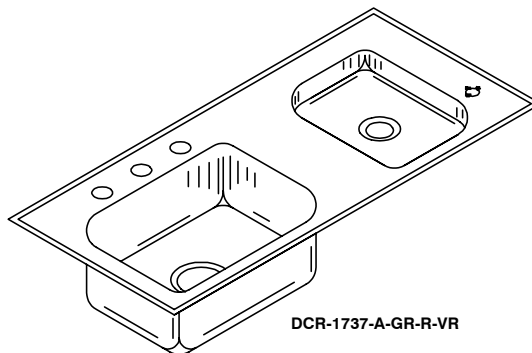
## VANDAL RESISTANT CLASSROOM SINK & DRINKING FOUNTAIN COMBINATION

SUBMITTAL DATA



DCR-1737-A-GR-L-VR	CUTOUT
	DIMENSIONS*
16-1/4 x 36-1/4	

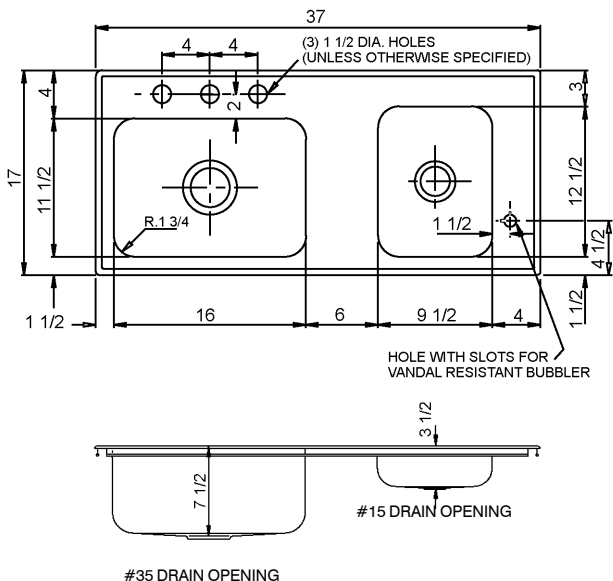
\* Cutout dimensions shown (Front-to-Back) x (Left-to-Right) - Corners of cutout may be square or up to 1/2" radius.



DCR-1737-A-GR-R-VR

### SPECIFICATION

Seamless die-drawn construction of type 304, 18-8 stainless steel. Interior and top surfaces polished to a non-porous Hand-Blended Just Finish, with a highlighted bowl rim. Fully coated underside insulates for sound, and reduces condensation. Straight-sided compartment with 1 3/4" radius corners provides greater capacity. Self-rimming top mount Grip-Rim Plus with 300 series stainless steel mounting channels. Conforms to ASME/ANSI A112.19.3M. Drain punch #35 for Just J-35-SSF-VR, and #15 for Just J-15-CB.



DCR-1737-A-GR-R-VR	CUTOUT
	DIMENSIONS*
16-1/4 x 36-1/4	

\* Cutout dimensions shown (Front-to-Back) x (Left-to-Right) - Corners of cutout may be square or up to 1/2" radius.

FUNCTIONAL DESIGN, QUALITY, AND SPECIFICATIONS LISTED DESCRIBE THE JUST STANDARD OF QUALITY. WHEN MAKING COMPARISONS WITH OTHER OFFERINGS, INSIST ON THE JUST QUALITY OF CONSTRUCTION. FOR ADDITIONAL INFORMATION REGARDING THE COMPLETE LINE OF JUST SINKS, FAUCETS AND DRAINS, VISIT OUR WEB SITE AT [www.justmfg.com](http://www.justmfg.com)

### INCLUDES FITTINGS:

- Faucet**
  - (1) JTR-51-R70-VR Restricted Swing Faucet with vandal resistant handles and aerator.
- Bubbler**
  - (1) JSB-10-FLX-VR Vandal Resistant-Stainless Steel Bubbler with flexible guard
- Drains**
  - (1) J-35-SSF-VR Vandal resistant Flat grid strainer.
  - (1) J-15-CB Vandal resistant flat grid strainer.

Job Name \_\_\_\_\_

Customer \_\_\_\_\_

Architect/Engineer \_\_\_\_\_

### APPROVED FOR MANUFACTURING

MODEL NO. \_\_\_\_\_ QTY. \_\_\_\_\_

COMPANY \_\_\_\_\_

TITLE \_\_\_\_\_ DATE \_\_\_\_\_

SIGNATURE \_\_\_\_\_

## JUST MANUFACTURING COMPANY

9233 KING STREET . FRANKLIN PARK . ILLINOIS . 60131-2111

PH: 847-678-5150 . FAX: 847-678-6817

E-MAIL: [custserv@justmfg.com](mailto:custserv@justmfg.com) . [www.justmfg.com](http://www.justmfg.com)

REVISED-5/2004