

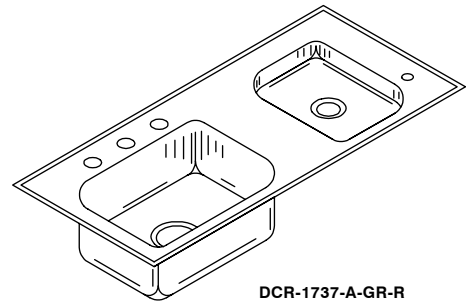


# ACADEMIC GROUP

# DCR-1737 - SERIES - A - 18 GA.

## CLASSROOM SINK & DRINKING FOUNTAIN COMBINATION

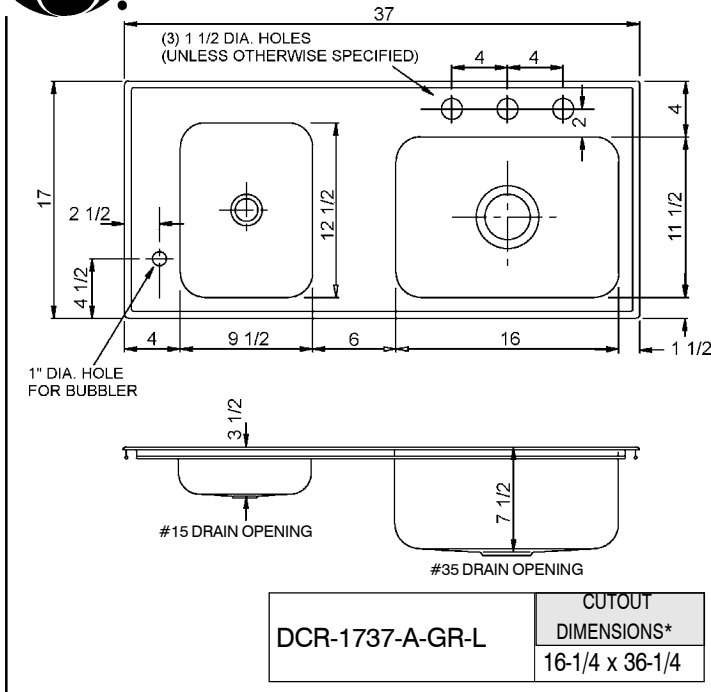
STATE OF NEW YORK  
PLUMBING CODE COMPLIANT



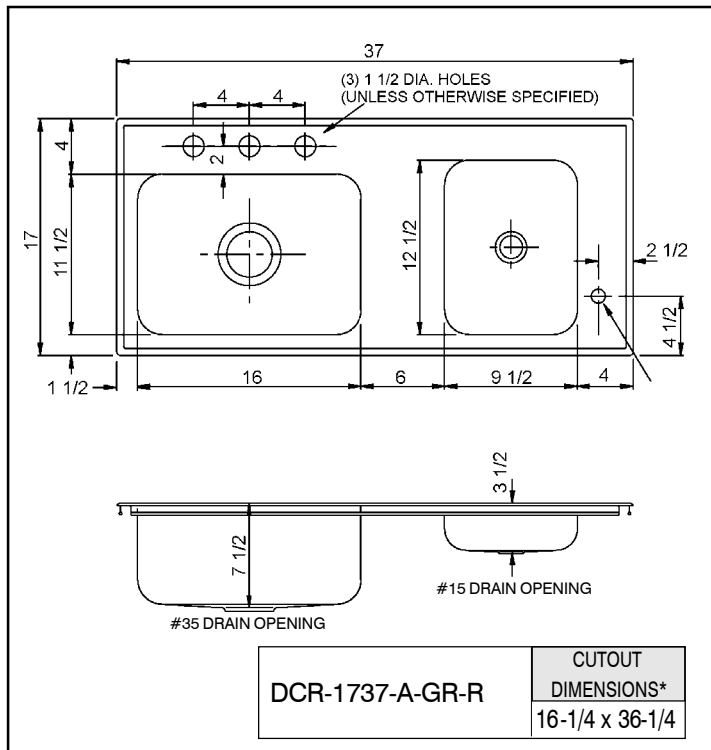
DCR-1737-A-GR-R



**AVAILABLE  
ADA COMPLIANT**



\* Cutout dimensions shown (Front-to-Back) x (Left-to-Right) - Corners of cutout may be square or up to 1/2" radius.



\* Cutout dimensions shown (Front-to-Back) x (Left-to-Right) - Corners of cutout may be square or up to 1/2" radius.

### SPECIFICATION

Seamless die-drawn construction of type 304, 18-8 stainless steel. Interior and top surfaces polished to a non-porous Hand-Blended Just Finish, with a highlighted bowl rim. Fully coated underside insulates for sound, and reduces condensation. Straight-sided compartment with 1 3/4" radius corners provides greater capacity. Self-rimming top mount Grip-Rim Plus with 300 series stainless steel mounting channels. Conforms to ASME/ANSI A112.19.3M. Drain punch #35 for Just J-35, and #15 for Just J-15-FS.

<p><b>■ Faucet hole punching:</b></p> <p><input type="checkbox"/> (1) Hole Centered</p> <p><input type="checkbox"/> (2) Holes on 4" centers</p> <p><input type="checkbox"/> (3) Holes on 4" centers (illustrated)</p> <p><input type="checkbox"/> (4) Holes</p> <p><input type="checkbox"/> Alternate Punching: Faucet Model: _____ Punching required: _____</p>	<p><b>■ Bubbler punching:</b></p> <p><input type="checkbox"/> (1) Hole -Left front(see top left) for Drinking Fountain on Left</p> <p><input type="checkbox"/> (1) Hole -Right front(see lower left) for Drinking Fountain on Right</p>
--	---

Job Name \_\_\_\_\_

Customer \_\_\_\_\_

Architect/Engineer \_\_\_\_\_

APPROVED FOR MANUFACTURING

MODEL NO. \_\_\_\_\_ QTY. \_\_\_\_\_

COMPANY \_\_\_\_\_

TITLE \_\_\_\_\_ DATE \_\_\_\_\_

SIGNATURE \_\_\_\_\_

FUNCTIONAL DESIGN, QUALITY, AND SPECIFICATIONS LISTED DESCRIBE THE JUST STANDARD OF QUALITY. WHEN MAKING COMPARISONS WITH OTHER OFFERINGS, INSIST ON THE JUST QUALITY OF CONSTRUCTION. FOR ADDITIONAL INFORMATION REGARDING THE COMPLETE LINE OF JUST SINKS, FAUCETS AND DRAINS, VISIT OUR WEB SITE AT [www.justmfg.com](http://www.justmfg.com)

**JUST MANUFACTURING COMPANY**

9233 KING STREET . FRANKLIN PARK . ILLINOIS . 60131-2111

PH: 847-678-5150 . FAX: 847-678-6817

E-MAIL: [custserv@justmfg.com](mailto:custserv@justmfg.com) . [www.justmfg.com](http://www.justmfg.com)

**SUBMITTAL DATA**

REVISED-5/2004