

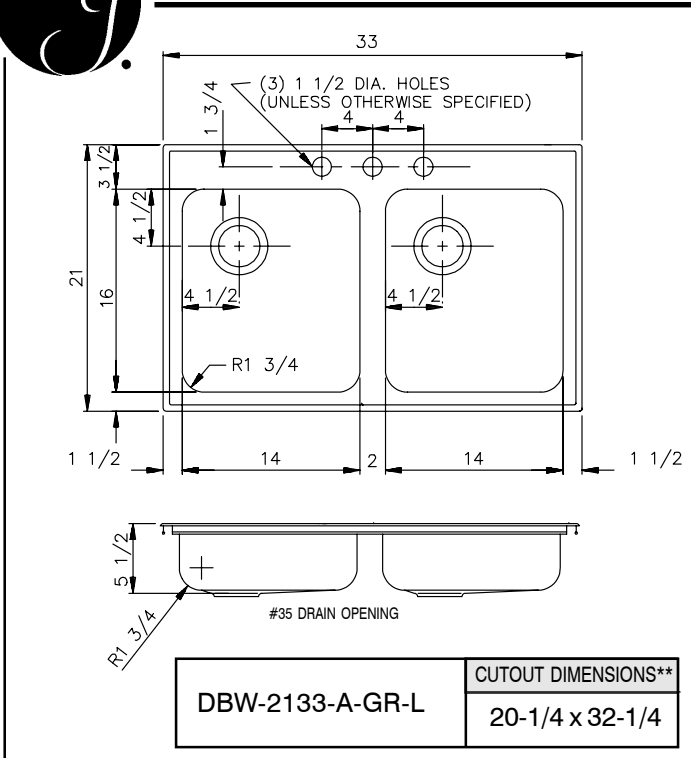


# FUNCTIONAL GROUP

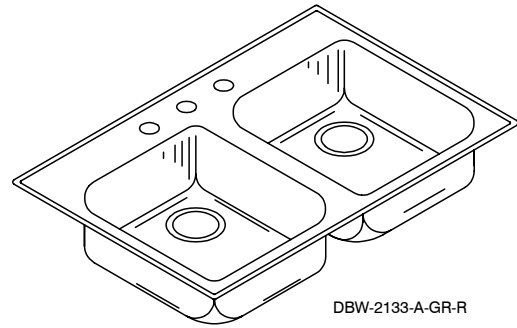
## DBW-2133-A-GR - 18 GA.

### UNDER COUNTER-DISHWASHER SINK

SUBMITTAL DATA



\*\* Cutout dimensions shown (Front-to-Back) x (Left-to-Right) - corners may be square or any radius up to 1/2".



DBW-2133-A-GR-R

#### SPECIFICATION

Seamless die-drawn construction of type 304, 18-8 stainless steel. Interior and top surfaces polished to a non-porous Hand-Blended Just Finish with highlighted bowl rim. Fully coated underside insulates for sound, and reduces condensation. Straight-sided compartment with 1 3/4" radius corners provides greater capacity. Self-rimming top mount Grip-Rim Plus with 300 series stainless steel mounting channels. Drain punch #35 for Just J-35 unless otherwise specified.

#### To be specified :

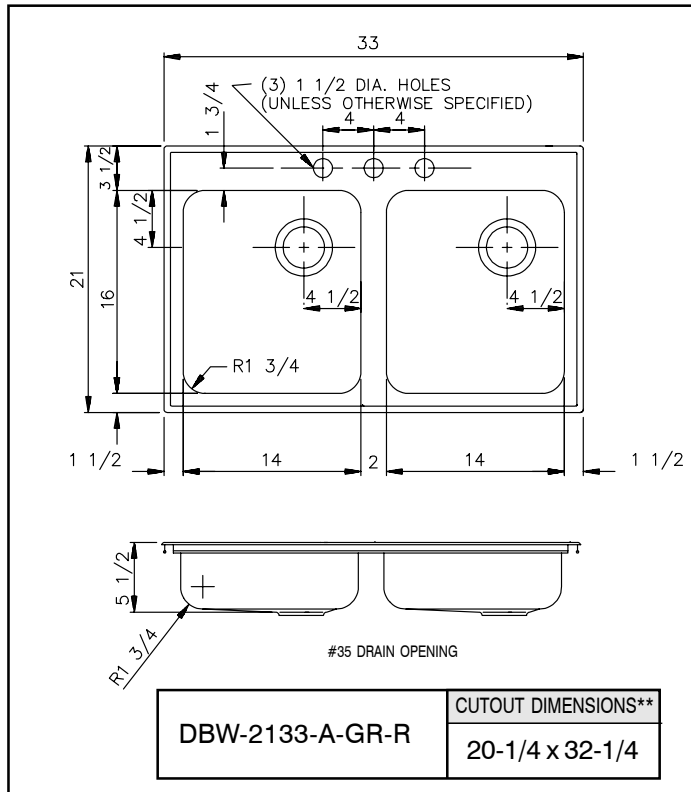
■ Faucet hole punching:

- (1) Hole Centered
- (2) Holes on 4" centers
- (3) Holes on 4" centers (illustrated)
- (4) Holes on 4" centers

Alternate Punching:

Faucet Model: \_\_\_\_\_

Punching required: \_\_\_\_\_



\*\* Cutout dimensions shown (Front-to-Back) x (Left-to-Right) - corners may be square or any radius up to 1/2".

FUNCTIONAL DESIGN, QUALITY, AND SPECIFICATIONS LISTED DESCRIBE THE JUST STANDARD OF QUALITY. WHEN MAKING COMPARISONS WITH OTHER OFFERINGS, INSIST ON THE JUST QUALITY OF CONSTRUCTION. FOR ADDITIONAL INFORMATION REGARDING THE COMPLETE LINE OF JUST SINKS, FAUCETS AND DRAINS, VISIT OUR WEB SITE AT [www.justmfg.com](http://www.justmfg.com)

Job Name \_\_\_\_\_

Customer \_\_\_\_\_

Architect/Engineer \_\_\_\_\_

APPROVED FOR MANUFACTURING

MODEL NO. \_\_\_\_\_ QTY. \_\_\_\_\_

COMPANY \_\_\_\_\_

TITLE \_\_\_\_\_ DATE \_\_\_\_\_

SIGNATURE \_\_\_\_\_

REVISED-6/2004