



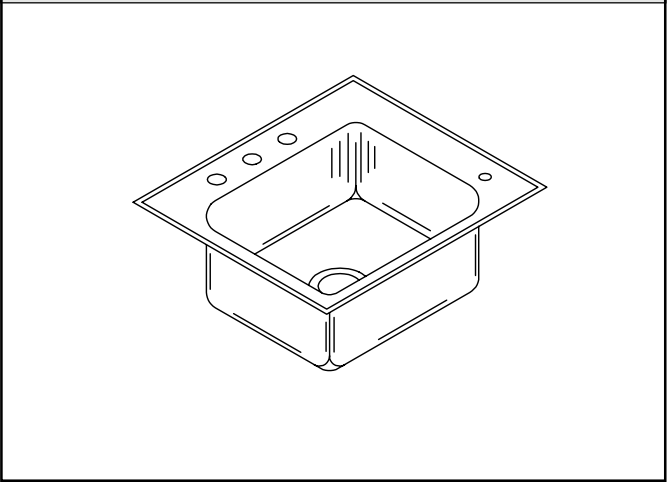
ACADEMIC GROUP

SPECIFICATION

Seamless die-drawn construction of type 304, 18-8 stainless steel. Interior and top surfaces polished to a non-porous Hand-Blended Just Finish with highlighted bowl rim. Fully coated underside insulates for sound, and reduces condensation. Straight-sided compartment with $1\frac{3}{4}$ " radius corners provides greater capacity. Self-rimming top mount Grip-Rim Plus with 300 series stainless steel mounting channels. Conforms to ASME/ANSI A112.19.3M. Drain punch #35 centered for Just J-35 unless otherwise specified.

CRB - SERIES - A - VR - 18 GA.

VANDAL RESISTANT CLASSROOM SINKS with FITTINGS



SUBMITTAL



**AVAILABLE
ADA COMPLIANT**

INCLUDES FITTINGS:

Faucet

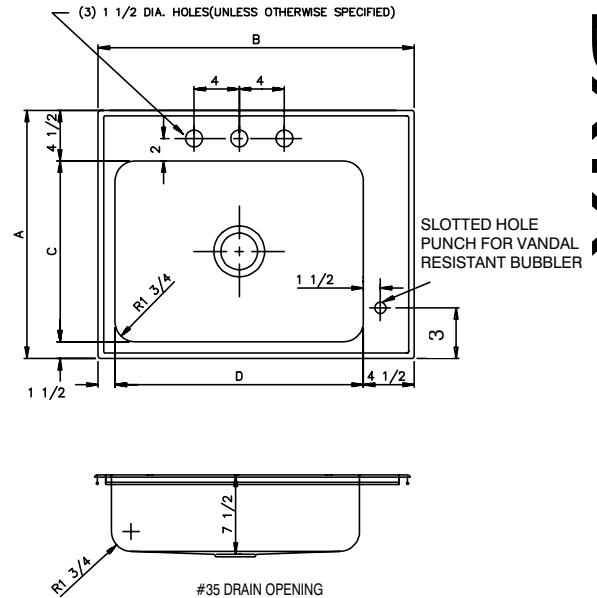
- (1) JWF-200-R70-VR Restricted Swing Faucet with vandal resistant handles and aerator.

Bubbler

- (1) JSB-10-VR Vandal Resistant-Stainless Steel Lead Free Bubbler

Drain

- (1) J-35-SSF-VR Vandal Resistant Flat grid strainer.



DATA

FUNCTIONAL DESIGN, QUALITY, AND SPECIFICATIONS LISTED DESCRIBE THE JUST STANDARD OF QUALITY. WHEN MAKING COMPARISONS WITH OTHER OFFERINGS, INSIST ON THE JUST QUALITY OF CONSTRUCTION. FOR ADDITIONAL INFORMATION REGARDING THE COMPLETE LINE OF **JUST** SINKS, FAUCETS AND DRAINS, VISIT OUR WEB SITE AT www.justmfg.com

Job Name _____

Customer _____

Architect/Engineer _____

| MODEL NO. | A | B | C | D | CUTOUT* |
|------------------|----|----|----|----|-----------------|
| CRB-2022-A-GR-VR | 20 | 22 | 14 | 16 | 19-1/4 x 21-1/4 |
| CRB-2225-A-GR-VR | 22 | 25 | 16 | 19 | 21-1/4 x 24-1/4 |

* Cutout dimensions shown (Front-to-Back) x (Left-to-Right) - Corners of cutout may be square or up to 1/2" radius.

APPROVED FOR MANUFACTURING

MODEL NO. _____ QTY. _____

COMPANY _____

TITLE _____ DATE _____

SIGNATURE _____

REVISED 4/2009