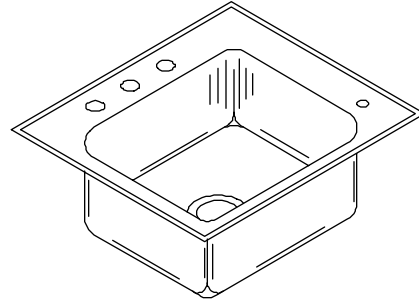


Just ACADEMIC GROUP

CRB - SERIES - A - VR - 18 GA.

VANDAL RESISTANT CLASSROOM SINKS with FITTINGS



SUBMITTAL

DATA

SPECIFICATION

Seamless die-drawn construction of type 304, 18-8 stainless steel. Interior and top surfaces polished to a non-porous Hand-Blended Just Finish with highlighted bowl rim. Fully coated underside insulates for sound, and reduces condensation. Straight-sided compartment with $1\frac{3}{4}$ " radius corners provides greater capacity. Self-rimming top mount Grip-Rim Plus with 300 series stainless steel mounting channels. Conforms to ASME/ANSI A112.19.3M. Drain punch #35 centered for Just J-35 unless otherwise specified.



**AVAILABLE
ADA COMPLIANT**

INCLUDES FITTINGS:

Faucet

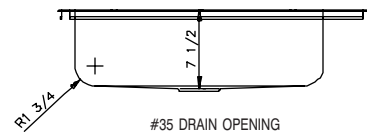
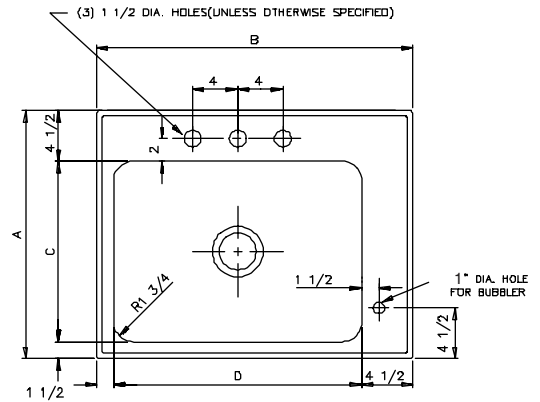
- (1) JWF-200-R70-VR Restricted Swing Faucet with vandal resistant handles and aerator.

Bubbler

- (1) JSB-10-VR Vandal Resistant-Stainless Steel Lead Free Bubbler

Drain

- (1) J-35-SSF-VR Vandal resistant Flat grid strainer.



#35 DRAIN OPENING

MODEL NO.	A	B	C	D	CUTOUT*
CRB-2022-A-GR-VR	20	22	14	16	19 ¹ / ₄ x 21 ¹ / ₄
CRB-2228-A-GR-VR	22	28	16	22	21 ¹ / ₄ x 27 ¹ / ₄

* Cutout dimensions shown (Front-to-Back) x (Left-to-Right) - Corners of cutout may be square or up to 1/2" radius.

Job Name _____
 Customer _____
 Architect/Engineer _____

APPROVED FOR MANUFACTURING

MODEL NO. _____ QTY. _____
 COMPANY _____
 TITLE _____ DATE _____
 SIGNATURE _____

FUNCTIONAL DESIGN, QUALITY, AND SPECIFICATIONS LISTED DESCRIBE THE **JUST** STANDARD OF QUALITY. WHEN MAKING COMPARISONS TO OTHER OFFERINGS, INSIST ON THE **JUST** QUALITY OF CONSTRUCTION.

Just MANUFACTURING COMPANY
 9233 KING STREET, FRANKLIN PARK, ILLINOIS 60131
 PHONE: (847) 678-5150 FAX: (847) 678-6817