

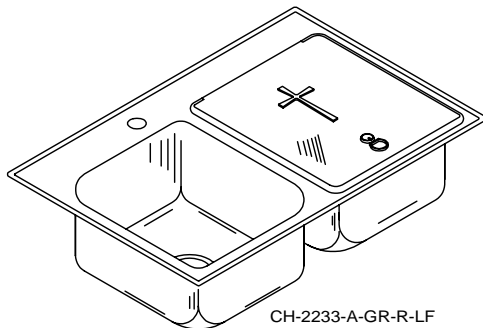
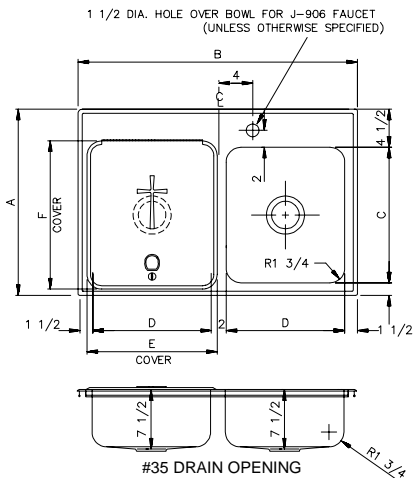


# INSTITUTIONAL GROUP

# CH - SERIES - A - 18 GA.

## SACRISTY SINKS WITH HINGED, LOCKING COVER

SUBMITTAL DATA



### SPECIFICATION

Seamless die-drawn construction of type 304, 18-8 stainless steel. Interior and top surfaces polished to a non-porous Hand-Blended Just Finish, with a highlighted bowl rim. Fully coated underside insulates for sound, and reduces condensation. Straight-sided compartment with 1 3/4" radius corners provides greater capacity. Self-rimming top mount Grip-Rim Plus with 300 series stainless steel mounting channels. Conforms to ASME/ANSI A112.19.3M. Drain punch #35 for Just J-35 and Just J-35-FS unless otherwise specified.

MODEL NO.	A	B	C	D	E	F	CUTOUT*
CH-17537-A-GR-L	17-1/2	37	11-1/2	16	17-3/8	13	16-3/4 x 36-1/4
CH-1829-A-GR-L	18	29	12	12	13-3/8	13-1/2	17-1/4 x 28-1/4
CH-2228-A-GR-L	22	28	16	11-1/2	12-7/8	17-1/2	21-1/4 x 27-1/4
CH-2233-A-GR-L**	22	33	16	14	15-3/8	17-1/2	21-1/4 x 32-1/4
CH-2243-A-GR-L	22	43	16	19	20-3/8	17-1/2	21-1/4 x 42-1/4

\* Cutout dimensions shown (Front-to-Back) x (Left-to-Right) - Corners of cutout may be square or up to 1/2" radius.  
\*\* This model has 1 1/8" center partition and 1 15/16" end flanges. The compartments are 8" deep.

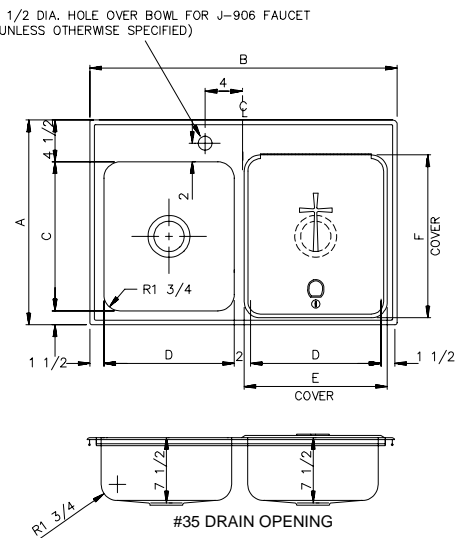
### SPECIFY PUNCHING

■ Faucet hole punching:

- (1) Hole (illustrated)
- (2) Holes on 4" centers
- (3) Holes on 4" centers

Alternate Punching:  
Faucet Model: \_\_\_\_\_

Punching required: \_\_\_\_\_



MODEL NO.	A	B	C	D	E	F	CUTOUT*
CH-17537-A-GR-R	17-1/2	37	11 1/2	16	17-3/8	13	16-3/4 x 36-1/4
CH-1829-A-GR-R	18	29	12	12	13-3/8	13-1/2	17-1/4 x 28-1/4
CH-2228-A-GR-R	22	28	16	11 1/2	17 1/2	17-1/2	21-1/4 x 27-1/4
CH-2233-A-GR-R**	22	33	16	14	15-3/8	17-1/2	21-1/4 x 32-1/4
CH-2243-A-GR-R	22	43	16	19	20-3/8	17-1/2	21-1/4 x 42-1/4

\* Cutout dimensions shown (Front-to-Back) x (Left-to-Right) - Corners of cutout may be square or up to 1/2" radius.  
\*\* This model has 1 1/8" center partition and 1 15/16" end flanges. The compartments are 8" deep.

JUST MFG. COMPANY CONTINUES TO MAKE QUALITY AND FUNCTIONALITY A MARK OF THE JUST PRODUCT LINE. TO DO SO REQUIRES THAT WE RESERVE THE RIGHT TO CHANGE PRODUCT INFORMATION WITHOUT NOTICE. DIMENSIONS MAY VARY AND ARE SUBJECT TO CHANGE WITHOUT NOTICE. NO RESPONSIBILITY IS ASSUMED FOR USE OF SUPERCEDED OR VOIDED DATA. FOR THE MOST CURRENT AND ACCURATE INFORMATION REGARDING THE COMPLETE LINE OF JUST SINKS, FAUCETS AND DRAINS, CLICK ON THE **SPEC LINE DRAWINGS** LINK ON OUR WEB SITE AT [www.justmfg.com](http://www.justmfg.com)

Job Name \_\_\_\_\_

Customer \_\_\_\_\_

Architect/Engineer \_\_\_\_\_

### APPROVED FOR MANUFACTURING

MODEL NO. \_\_\_\_\_ QTY. \_\_\_\_\_

COMPANY \_\_\_\_\_

TITLE \_\_\_\_\_ DATE \_\_\_\_\_

SIGNATURE \_\_\_\_\_

**JUST MANUFACTURING COMPANY**

9233 KING STREET . FRANKLIN PARK . ILLINOIS . 60131-2111

PH: 847-678-5150 . FAX: 847-678-6817 . E-MAIL: [custserv@justmfg.com](mailto:custserv@justmfg.com) . [www.justmfg.com](http://www.justmfg.com)