



# STYLIST GROUP

## SPECIFICATION

Seamless die-drawn construction of type 304, 18-8 stainless steel. Interior and top surfaces polished to a non-porous Hand-Blended Just Finish with highlighted bowl rim. Fully coated underside insulates for sound, and reduces condensation. Straight-sided compartment with 1 3/4" radius corners provides greater capacity. Self-rimming top mount Grip-Rim Plus with 300 series stainless steel mounting channels. Conforms to ASME/ANSI A112.19.3M. Drain punch #35 centered for Just J-35 unless otherwise specified.

### To be specified :

#### ■ Faucet hole punching:

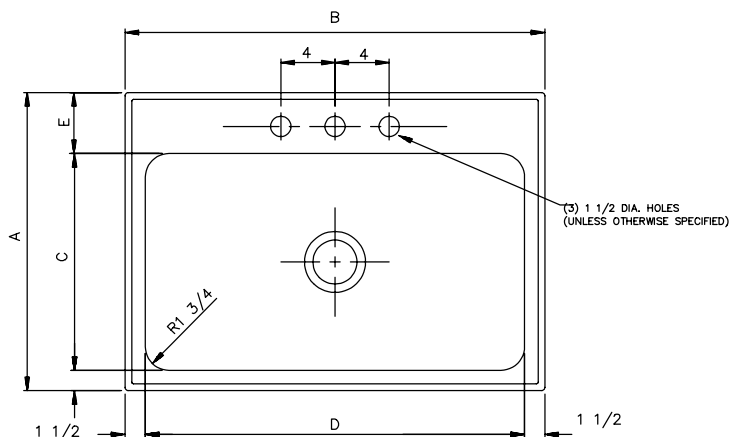
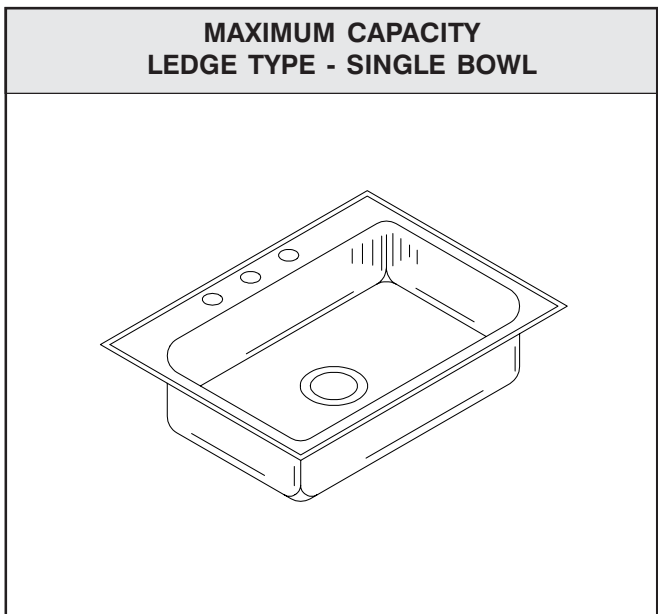
- (1) Hole Centered
- (2) Holes on 4" centers
- (3) Holes on 4" centers (illustrated)

#### □ Alternate Punching:

Faucet Model: \_\_\_\_\_  
Punching required: \_\_\_\_\_

## SL - SERIES - B - 20 GA.

MAXIMUM CAPACITY  
LEDGE TYPE - SINGLE BOWL

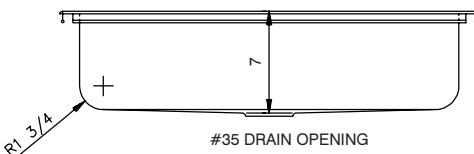


MODEL NO.	A	B	C	D	E	CUTOUT*
SL-2125-B-GR	21	25	16	22	3-1/2	20-1/4 x 24-1/4
SL-2131-B-GR	21	31	16	28	3-1/2	20-1/4 x 30-1/4
SL-2133-B-GR**	21	33	16	28	3-1/2	20-1/4 x 32-1/4
SL-2225-B-GR	22	25	16	22	4-1/2	21-1/4 x 24-1/4
SL-2231-B-GR	22	31	16	28	4-1/2	21-1/4 x 30-1/4
SL-2233-B-GR**	22	33	16	28	4-1/2	21-1/4 x 32-1/4

\* Cutout dimensions shown (Front-to-Back) x (Left-to-Right) - corners may be square or up to 1/2" radius.

\*\*These bowls have 2 - 1/2" side flanges.

FUNCTIONAL DESIGN, QUALITY, AND SPECIFICATIONS LISTED DESCRIBE THE JUST STANDARD OF QUALITY. WHEN MAKING COMPARISONS WITH OTHER OFFERINGS, INSIST ON THE JUST QUALITY OF CONSTRUCTION. FOR ADDITIONAL INFORMATION REGARDING THE COMPLETE LINE OF **JUST** SINKS, FAUCETS AND DRAINS, VISIT OUR WEB SITE AT [www.justmfg.com](http://www.justmfg.com)



SUBMITTAL DATA

Job Name \_\_\_\_\_

Customer \_\_\_\_\_

Architect/Engineer \_\_\_\_\_

APPROVED FOR MANUFACTURING

MODEL NO. \_\_\_\_\_ QTY. \_\_\_\_\_

COMPANY \_\_\_\_\_

TITLE \_\_\_\_\_ DATE \_\_\_\_\_

SIGNATURE \_\_\_\_\_

REVISED-5/2004

**JUST MANUFACTURING COMPANY**

9233 KING STREET . FRANKLIN PARK . ILLINOIS . 60131-2111

PH: 847-678-5150

FAX: 847-678-6817

E-MAIL: [custserv@justmfg.com](mailto:custserv@justmfg.com)

[www.justmfg.com](http://www.justmfg.com)