

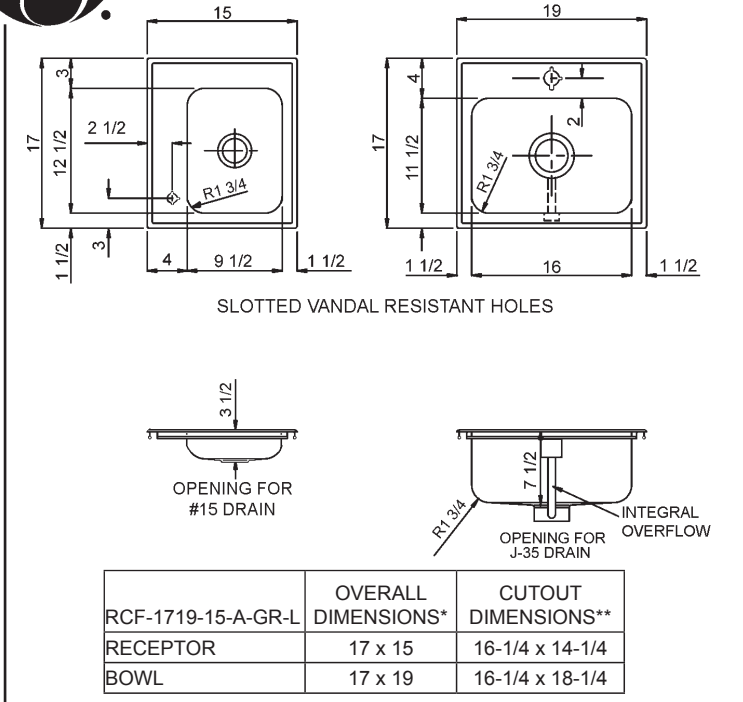


ACADEMIC GROUP

RCF - SERIES

CLASSROOM SINK WITH OVERFLOW and REMOTE RECTANGULAR DRINKING FOUNTAIN 1700 SERIES 18 GAUGE

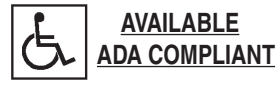
SUBMITTAL DATA



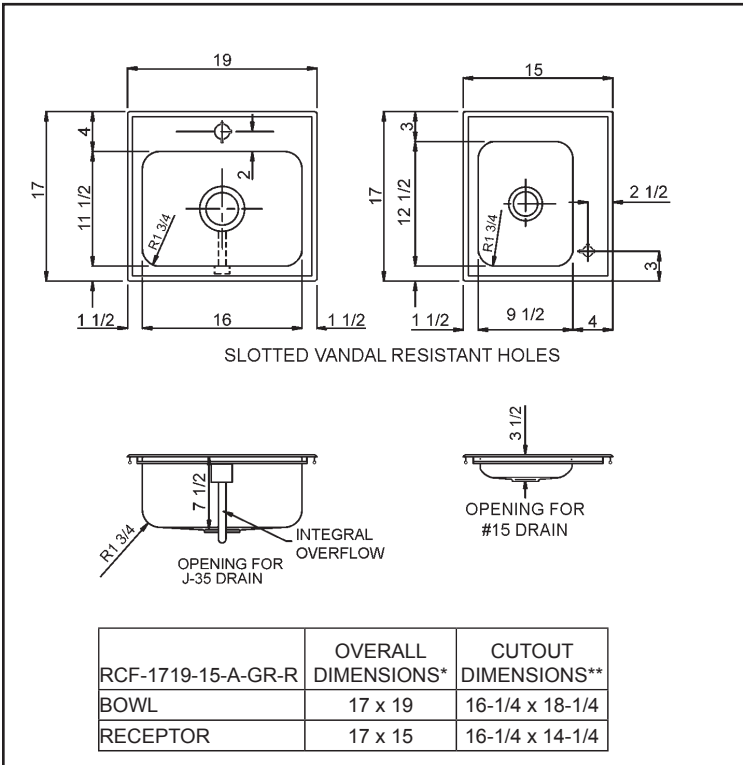
* dimensions shown (Front-to-Back) x (Left-to-Right)
** Cutout dimensions shown (Front-to-Back) x (Left-to-Right) - Corners of cutout may be square or up to 1/2" radius.

SPECIFICATION

Seamless die-drawn construction of type 304, 18-8 stainless steel. Interior and top surfaces polished to a non-porous Hand-Blended Just Finish, with a highlighted bowl rim. Fully coated underside insulates for sound, and reduces condensation. Straight-sided compartment with 1 3/4" radius corners provides greater capacity. Self-rimming top mount Grip-Rim Plus with 300 series stainless steel mounting channels. Drain punchings J-35 and J-15 as applicable. Includes integral overflow.



This sink is available in depths 4-1/2" to 6-1/2" to accommodate installation compliant with "ADA" requirements. Refer to RCF-ADA specification sheet.



* Dimensions shown (Front-to-Back) x (Left-to-Right)
** Cutout dimensions shown (Front-to-Back) x (Left-to-Right) - Corners of cutout may be square or up to 1/2" radius.

FUNCTIONAL DESIGN, QUALITY, AND SPECIFICATIONS LISTED DESCRIBE THE JUST STANDARD OF QUALITY. WHEN MAKING COMPARISONS WITH OTHER OFFERINGS, INSIST ON THE JUST QUALITY OF CONSTRUCTION. FOR ADDITIONAL INFORMATION REGARDING THE COMPLETE LINE OF JUST SINKS, FAUCETS AND DRAINS, VISIT OUR WEB SITE AT www.justmfg.com

- FITTING OPTIONS:**
- JSB-10-FLX-VR Vandal resistant Cast stainless steel bubbler with flexible mouth guard.
 - JRMSB-10-FLX-VR - Vandal resistant cast stainless steel bubbler with flexible mouthguard and remote push button.
 - JGN-745-VR Vandal resistant faucet.
 - J-15-CB Vandal resistant drain with flat strainer.
 - J-35-SSF-VR Vandal resistant drain with flat strainer.

Job Name _____

Customer _____

Architect/Engineer _____

APPROVED FOR MANUFACTURING

MODEL NO. _____ QTY. _____

COMPANY _____

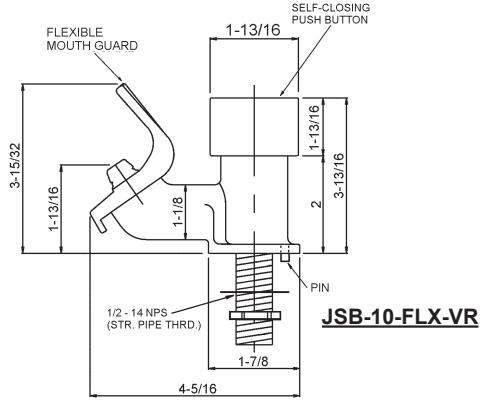
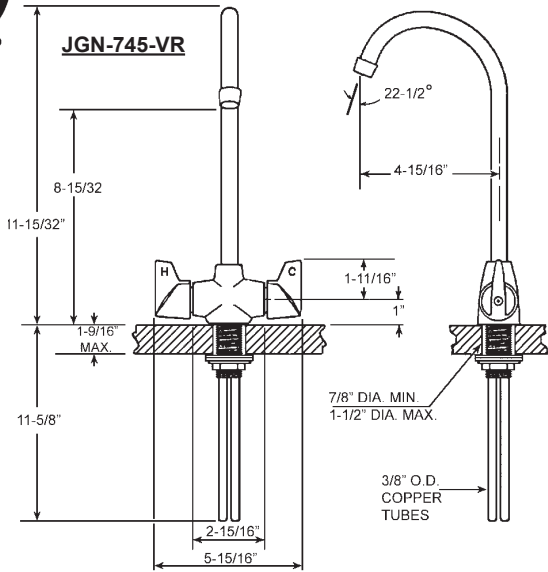
TITLE _____ DATE _____

SIGNATURE _____



RCR- Series - FITTING OPTIONS

SPECIFICATION DATA



JGN-745-VR - Vandal resistant, single hole deck mount gooseneck faucet with 4-15/16 reach, rigid spout, Vandal resistant 2.2 GPM water saving aerator. Vandal resistant handles, indexed "H" and "C". Deck to top of spout to be 11-15/32". Deck to aerator to be 8-15/32". Conforms to ANSI A112.18.1. Certified to NSF/ANSI 61.

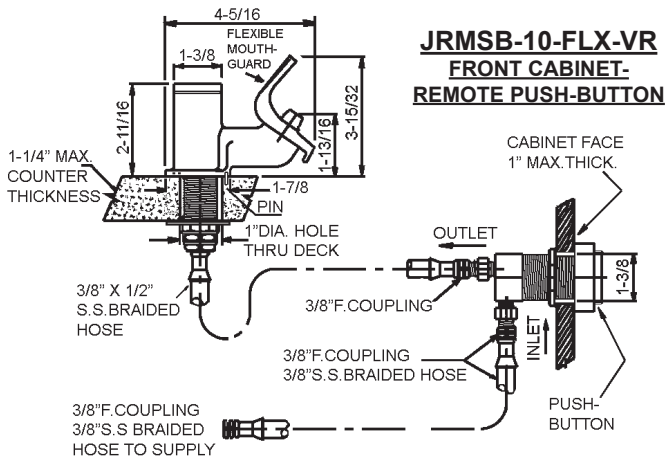
JRMSB-10-FLX-VR - Vandal resistant, self-closing remote push button bubbler. Flexible mouth-guard. Cast Type 304 stainless steel body and remote push button assembly. Stainless steel braided hoses, nipple and replaceable regulator cartridge. Location of bubbler on ledge is variable. Conforms to ANSI A112.18.1. Certified to NSF/ANSI 61.

JSB-10-FLX-VR - Vandal resistant, self-closing push button bubbler. Flexible mouth-guard. Cast Type 304 stainless steel body and push button. Stainless steel replaceable regulator cartridge. Location of bubbler on ledge is variable. Conforms to ANSI A112.18.1. Certified to NSF/ANSI 61.

JJ-35-SSF-VR - Stainless steel #35 flat grid vandal resistant drain. Includes 1-1/2" O.D. stainless steel tailpiece, 4" long.

JJ-15-CB - Chrome plated brass #15 drain with vandal resistant grid.

JUST MFG. CO. RESERVES THE RIGHT TO CHANGE PRODUCT INFORMATION WITHOUT NOTICE.



STOPS and SUPPLY OPTIONS

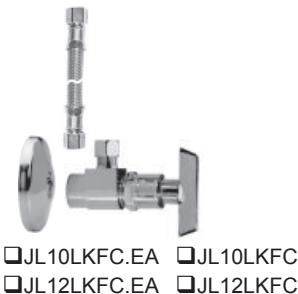
To include stop or supply options with parts package, add part number required to end of RCR model number.

Example: RCR-1522-17-A-GR-L
would be specified as
RCR-1522-17-A-GR-L-JL10LKFC-38C-9



JJV-160
Single supply services faucet and bubbler. Available with loose key stop.

STOPS AND SUPPLY SIZING - Specify Type Below					
MODEL NO.					
x	Angle(Single)	x	Angle(Pair)	Inlet	Outlet
	JL10LKFC.EA		JL10LKFC	3/8" I.P.S.	3/8 O.D.
	JL12LKFC.EA		JL12LKFC	1/2" I.P.S.	3/8 O.D.
	JL16LKFC.EA		JL16LKFC	1/2 NOM. COMP	3/8 O.D.
	JL22LKFC.EA		JL22LKFC	1/2 NOM. SWEAT	3/8 O.D.
	JL26LKFC.EA		JL26LKFC	1/2 N.S. W/5" EXT.	3/8 O.D.
STAINLESS STEEL BRAIDED RISERS					
3/8" COMP. x 1/2" IPS			1/2" COMP. x 1/2" IPS		
	9" LONG		20" LONG	12" LONG	20" LONG
	12" LONG		30" LONG	add-12C-("length") to package model no.	
	16" LONG		36" LONG	add-38C-("length") to Package Model No.	



JUST MANUFACTURING COMPANY

9233 KING STREET . FRANKLIN PARK . ILLINOIS . 60131-2111

PH: 847-678-5150 . FAX: 847-678-6817 . E-MAIL: custserv@justmfg.com . www.justmfg.com