

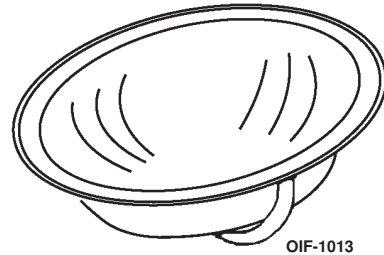
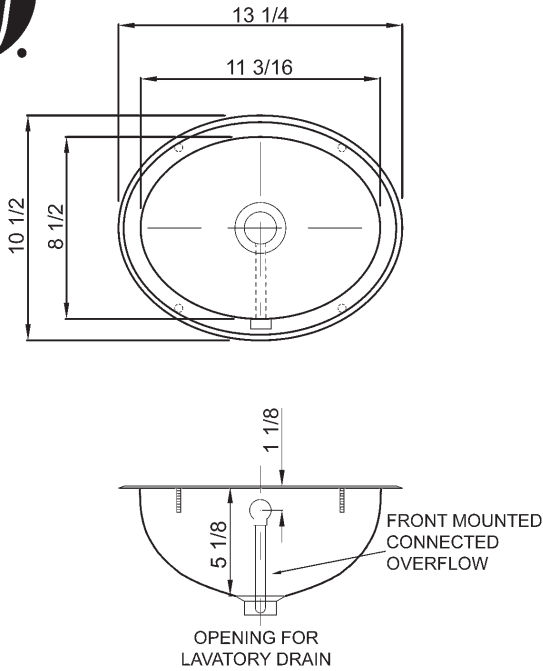


LAVATORY GROUP

OIF/OIR - SERIES - A - 18 GA.

SUBMITTAL DATA

OVAL BOWL - NO LEDGE

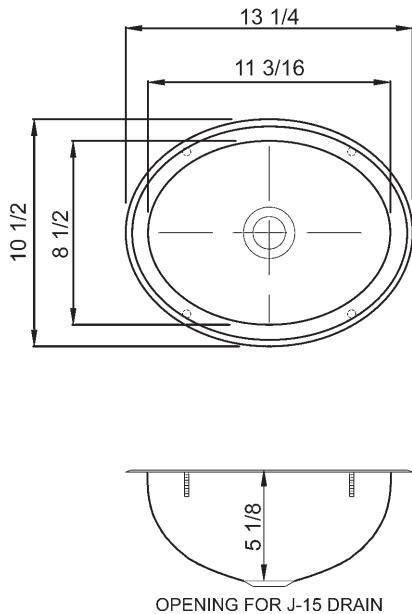


OIF-1013

SPECIFICATION

Seamless die-drawn construction stainless steel. Interior and top surfaces polished to a non-porous Hand-Blended Just Finish. Fully coated underside insulates for sound, and reduces condensation. OIF-1013 punched for standard lavatory drain. OIR-1013 punched for Just J-15-FS unless otherwise specified.

OIF - 1013	CUTOUT DIMENSIONS
	TRACE OUTLINE OF BOWL CUT 7/16" INSIDE TRACING LINE



OIR - 1013	CUTOUT DIMENSIONS
	TRACE OUTLINE OF BOWL CUT 7/16" INSIDE TRACING LINE

Job Name _____

Customer _____

Architect/Engineer _____

APPROVED FOR MANUFACTURING

MODEL NO. _____ QTY. _____

COMPANY _____

TITLE _____ DATE _____

SIGNATURE _____

FUNCTIONAL DESIGN, QUALITY, AND SPECIFICATIONS LISTED DESCRIBE THE JUST STANDARD OF QUALITY. WHEN MAKING COMPARISONS WITH OTHER OFFERINGS, INSIST ON THE JUST QUALITY OF CONSTRUCTION. FOR ADDITIONAL INFORMATION REGARDING THE COMPLETE LINE OF **JUST** SINKS, FAUCETS AND DRAINS, VISIT OUR WEB SITE AT **www.**