



FUNCTIONAL GROUP

SPECIFICATION

Seamless die-drawn construction of type 304, 18-8 stainless steel. Interior and top surfaces polished to a non-porous Hand-Blended Just Finish with highlighted bowl rim. Fully coated underside insulates for sound, and reduces condensation. Straight-sided compartment with $1\frac{3}{4}$ " radius corners provides greater capacity. Self-rimming top mount Grip-Rim Plus with 300 series stainless steel mounting channels. Conforms to ASME/ANSI A112.19.3M. Drain punch #15 centered for Just J-15-CC.

INCLUDES FITTINGS :

- | | |
|---|---|
| <ul style="list-style-type: none"> ■ Faucet: □ JVGN-5 deck mounted mixing faucet with swivel gooseneck spout. | <ul style="list-style-type: none"> ■ Drain: □ J-15-CC stainless steel crumb cup strainer. |
|---|---|

FUNCTIONAL DESIGN, QUALITY, AND SPECIFICATIONS LISTED DESCRIBE THE JUST STANDARD OF QUALITY. WHEN MAKING COMPARISONS WITH OTHER OFFERINGS, INSIST ON THE JUST QUALITY OF CONSTRUCTION. FOR ADDITIONAL INFORMATION REGARDING THE COMPLETE LINE OF **JUST** SINKS, FAUCETS AND DRAINS, VISIT OUR WEB SITE AT www.justmfg.com

Job Name _____
 Customer _____
 Architect/Engineer _____

APPROVED FOR MANUFACTURING

MODEL NO. _____ QTY. _____
 COMPANY _____
 TITLE _____ DATE _____
 SIGNATURE _____

JUST MANUFACTURING COMPANY

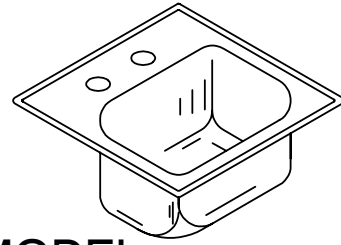
9233 KING STREET . FRANKLIN PARK . ILLINOIS . 60131-2111

PH: 847-678-5150 . FAX: 847-678-6817 . E-MAIL: custserv@justmfg.com . www.justmfg.com

CBT-1515-B-GR-T - 20 GA

SINGLE COMPARTMENT BAR SINK

NO LONGER AVAILABLE

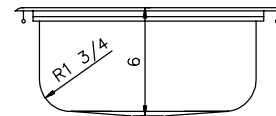
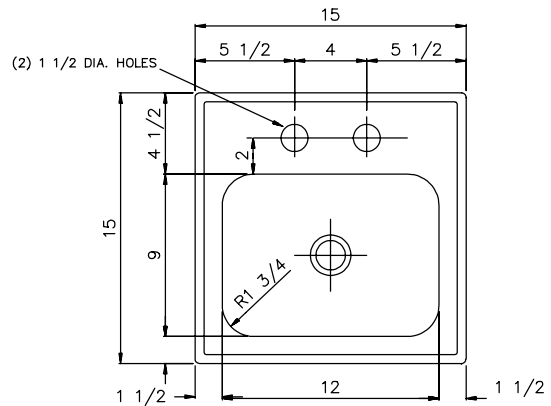


SEE MODEL CSBL-1515

CBT-1515-B-GR-T

CUTOUT DIMENSIONS*
14-1/4 x 14-1/4

* Cutout dimensions shown (Front-to-Back) x (Left-to-Right) - corners of cutout may be square or any radius up to 1/2".



#15 DRAIN OPENING

SUBMITTAL DATA

REVISED-5/2004