



FUNCTIONAL GROUP

SPECIFICATION

Seamless die-drawn construction of type 304, 18-8 stainless steel. Interior and top surfaces polished to a non-porous Hand-Blended Just Finish with highlighted bowl rim. Fully coated underside insulates for sound, and reduces condensation. Straight-sided compartment with 1 3/4" radius corners provides greater capacity. Self-rimming top mount Grip-Rim Plus with 300 series stainless steel mounting channels. Conforms to ASME/ANSI A112.19.3M. Drain punch #35 centered for Just J-35 unless otherwise specified.

INCLUDES:

- NuTone built-in blender and food processor with under counter power unit. Blender includes blender jar and lid. Food processor furnished with bowl, cover, cutting/mixing blade, slicer disc, shredder, disc, french fry disc and base adapter.

To be specified :

- Faucet hole punching:
 - (1) Hole Centered
 - (2) Holes on 4" centers
 - (3) Holes on 4" centers (illustrated)
 - (4) Holes on 4" centers
- Alternate Punching:
 Faucet Model: _____
 Punching required: _____

JUST MFG. COMPANY CONTINUES TO MAKE QUALITY AND FUNCTIONALITY A MARK OF THE JUST PRODUCT LINE. TO DO SO REQUIRES THAT WE RESERVE THE RIGHT TO CHANGE PRODUCT INFORMATION WITHOUT NOTICE. FOR THE MOST CURRENT AND ACCURATE INFORMATION REGARDING THE COMPLETE LINE OF JUST SINKS, FAUCETS AND DRAINS, CLICK ON THE **SPEC LINE DRAWINGS** LINK ON OUR WEB SITE AT www.justmfg.com

Job Name _____
 Customer _____
 Architect/Engineer _____

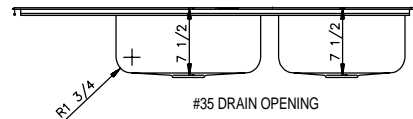
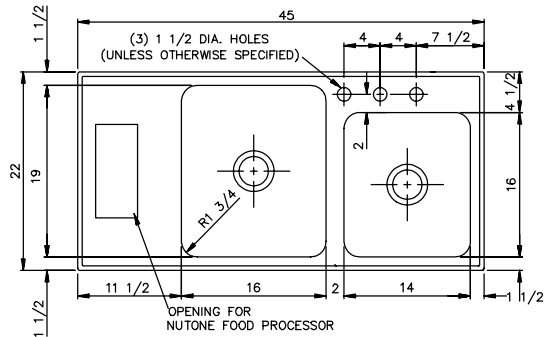
BD-2245-A-GR-L-NT

DOUBLE BOWL-BLENDER/PROCESSOR SINK

NO LONGER AVAILABLE

BD-2245-A-GR-L-NT	CUTOUT DIMENSIONS*
	21-1/4 x 44-1/4

* Cutout dimensions shown (Front-to-Back) x (Left-to-Right) - corners of cutout may be square or any radius up to 1/2".



SUBMITTAL DATA

APPROVED FOR MANUFACTURING

MODEL NO. _____ QTY. _____

COMPANY _____

TITLE _____ DATE _____

SIGNATURE _____

REVISED-5/2003