

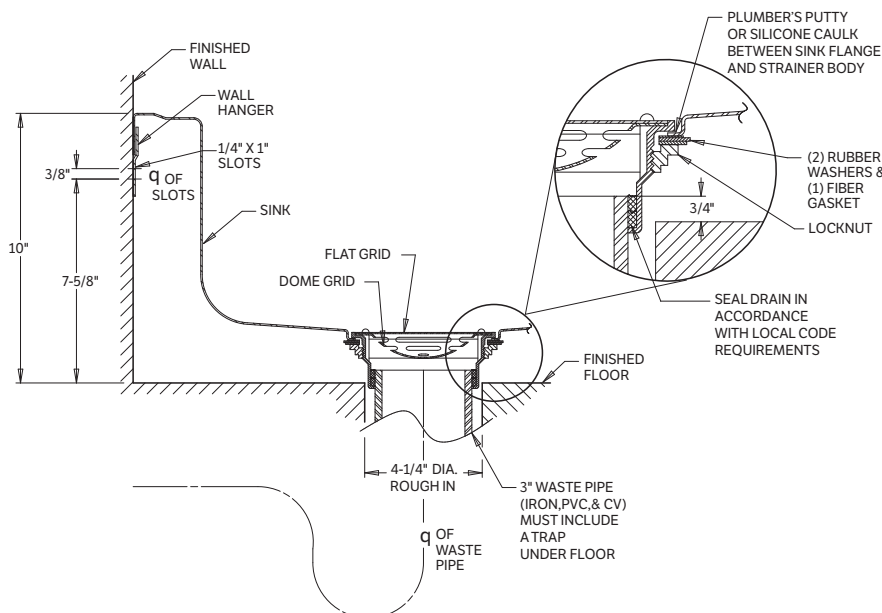
Floor Service Sink Installation

ATTENTION INSTALLER

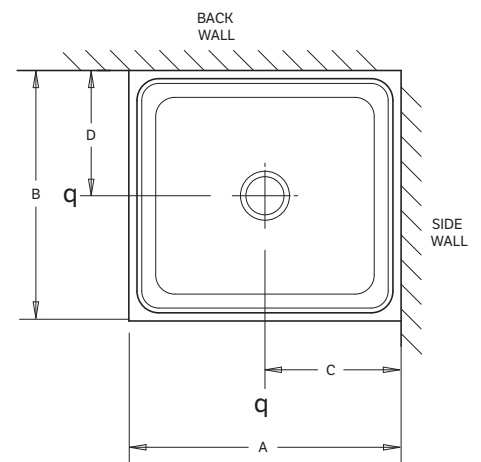
- 1) **JUST MANUFACTURING RECOMMENDS THAT FLOOR SERVICE SINKS SHOULD BE INSTALLED BY A PROFESSIONAL EXPERIENCED INSTALLER.**
- 2) **JUST MANUFACTURING IS NOT RESPONSIBLE FOR SINK IF DAMAGED DURING INSTALLATION.**
- 3) **INSPECT SINK FOR DAMAGE PRIOR TO BEGINNING INSTALLATION.**
- 4) **METAL EDGES MAY BE SHARP — USE CAUTION WHEN HANDLING.**
- 5) **FOLLOW ALL LOCAL PLUMBING AND BUILDING CODES.**

INSTALLING SINK

- 1) Provide a 4-1/4" diameter hole in the floor as shown per the rough in dimension based on the sink model.
- 2) The waste pipe should be centered in the center of the drain hole in the sink and project 3/4" above the floor. The installation must include a "trap" under the floor.
- 3) Mount the wall hanger to the wall in the required position. Anchors and fasteners supplied by others.
- 4) Install the strainer to the sink using plumbers putty or silicone caulk.
- 5) Place the sink into position over the waste pipe, making sure the rear rim engages the wall hanger.
- 6) Remove the grids from the strainer.
- 7) Seal drain in compliance with local code requirements.
- 8) Reattach the grids to the strainer body.



DRAIN ROUGH-IN DIMENSIONS



MODEL	A	B	C	D
XXX2523	25 "	23 "	12-1/2 "	11-1/2 "
XXX3321	33 "	21 "	16-1/2 "	10-1/2 "